

# LIMOUSIN

## Wood stove

C G B f D - N F D 35-376

**Model : 134 10 12**

Output : 10 kW



Description of the appliance

Installation instructions

Operating instructions

Spare parts

Warranty certificate

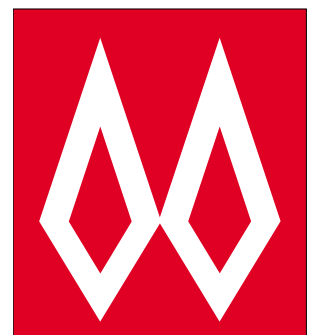
Document n° 1054-2 ~ 13/12/2000

### **Technical manual**

to be saved

by the user

for future reference



**FRANCO BELGE**

Les Fonderies Franco-Belges  
59660 MERVILLE  
Phone : 03.28.43.43.43  
Fax : 03.28.43.43.99  
RC Hazebrouck 445750565B  
Subject to modifications

FRANCO BELGE congratulates you on your choice.  
 FRANCO BELGE, which has been granted the ISO 9001 certification, guarantees the  
 quality of its appliances and is committed to meet its customers' needs.  
 FRANCO BELGE, which can boast a 75-year experience in the industry of heating devices,  
 uses state-of-the-art technologies  
 to design and manufacture its whole range of products.  
 This document contains instructions on how to install your appliance and and make full  
 use of its functions, both for your comfort and safety.

<b>CONTENTS</b>	<b>Page</b>	<b>Page</b>	
<b>Product information</b> . . . . .		<b>3</b>	
Package . . . . .	3	Description . . . . .	3
Optional . . . . .	3	Principle of operation . . . . .	3
General characteristics . . . . .	3		
<b>Installation instructions</b> . . . . .		<b>4</b>	
The room . . . . .	4	Connection to flue . . . . .	5
Flue . . . . .	4	Mounting the tray . . . . .	5
Assembly of flue spigot and blanking plates . . . . .	4	Chimney maintenance and sweeping . . . . .	5
<b>Instructions for user</b> . . . . .		<b>6</b>	
Fuel . . . . .	6	Cleaning . . . . .	7
Instruction for use with wood . . . . .	7	Maintenance of the stove body . . . . .	7
Instructions for use with solid fuel . . . . .	7	Trouble Shooting . . . . .	8
<b>Spare parts</b> . . . . .		<b>10</b>	

### Warning to the user

**A wood stove should only be installed by competent personnel, in the strict application of normal practices and all safety precautions.**  
**An incorrectly installed wood stove can cause serious accidents (chimney fires, burning of plastic insulation materials, in partition walls, etc.).**  
**The manufacturer's responsibility shall be limited to the supply of the equipment.**

## 1. Product information

### 1.1. Package

1 package : Stove complete.

### 1.2. Optional

- Boiler
- Coal grate

### 1.3. General characteristics

Reference . . . . .	134 10 12
Maximum output . . . . . kW	10
. . . . . Btu/hr	34 000
Chimney draft required . . . . . Pa	10
<i>Grate dimensions</i>	
- width . . . . . mm	540
- depth . . . . . mm	250
- usable height . . . . . mm	200
<i>Log dimensions</i>	
- Length . . . . . cm	50
- Diameter . . . . . cm	10 à 16
Ash pan capacity . . . . . litres	6,8
Net weight . . . . . kg	160
Volume heated . . . . . m <sup>3</sup>	380
Autonomy . . . . . h	10

### 1.4. Description

Stove, **C G B f D** - NF D 35-375

**C** : **Continuous**-burning heating appliance.

**G** : Wood burnt on **grate**

**B** : **Wood** burning stove

**f** : **Enclosed** combustion chamber with refractory brick walls.

**D** : Removable appliance, to be installed near a wall.

- Detachable flue spigot for rear or top chimney connection.
- Detachable top for easy handling and cleaning (rear smoke exit only).
- Adjustable air controls for controlling the burning rate.
- Spin wheel for lighting.
- Large ash-pan.
- Side loading door.

### 1.5. Principle of operation

The "Limousin" is designed for operation with the door closed.

Heat is mainly diffused by radiation, through the window and body of the appliance.

Combustion occurs on the grate, with draught entry through the top of the combustion chamber when using wood and under the grate when using coal.

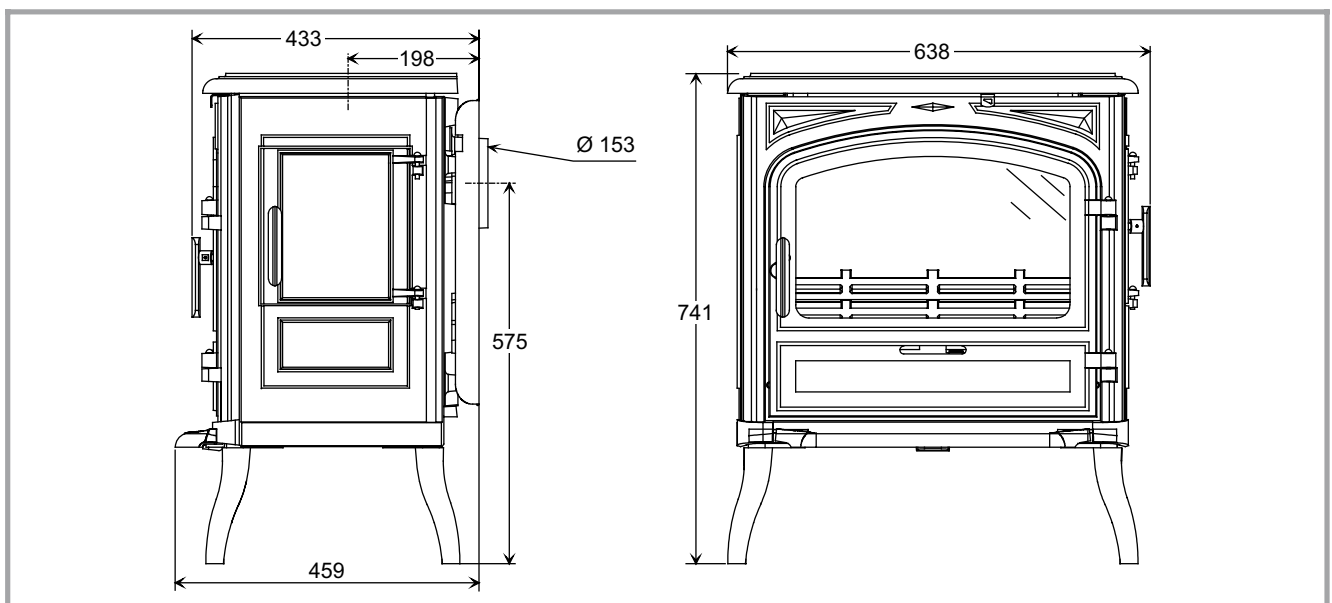


Figure 1 - Dimensions in mm

## 2. Installation instructions

### 2.1. The room

#### **Ventilation :**

For satisfactory operation with a natural draught, check that sufficient air for combustion is available in the room.

#### **Chimney position :**

For new chimney installations, select a central position within the building, to provide a good heat distribution around the building.

#### **Hearth :**

The hearth must be suitable for use with solid fuel burning appliances and must comply with Current Building Regulations. If in doubt, consult your Dealer or local Building Inspector.

#### **Rear wall and ceiling :**

The appliance must not be positioned close to combustible materials, wall & ceiling surfaces etc., Consult your Dealer or local Building Inspector if in doubt.

### 2.2. Flue

#### **Existing flue :**

- The flue must be in good condition and must provide sufficient draught.
- The flue must be suitable for the installation of solid fuel burning appliances and comply with Current Building Regulations.
- The flue must be clean. It should be swept to remove soot and dislodge tar deposits.
- The flue must be well insulated. If the flue inner wall surfaces are cold, a good thermal draw is impossible causing condensation problems (tar formation etc) to occur.

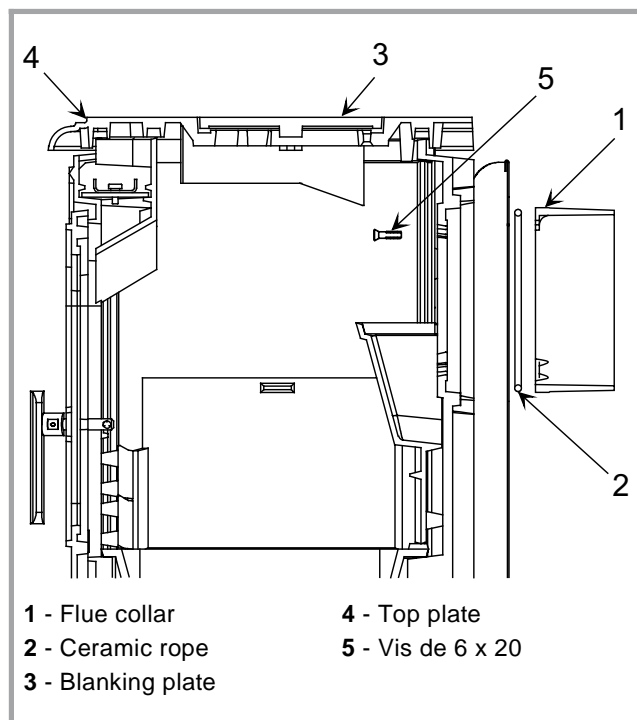


Figure 2 - Rear flue outlet

- The flue must not be shared with other appliances.
- The recommended minimum flue height is 5 metres.
- If the chimney has any down draught tendency, due to its position in relation to nearby obstacles, then an anti-down draught cowl must be installed on the chimney or the chimney height must be increased.
- If the decompression in the chimney is excessive, a draught stabiliser must be installed.
- The flue must not be supported by the stove.
- Consult a chimney specialist for advice on suitable flue systems for solid fuel appliances.

### 2.3. Assembly of flue spigot and blanking plates

The stove is supplied with a connection flue spigot with an inner diameter of 153 mm.

#### 2.3.1. Smoke exit at rear

##### Figure 2

- Remove the top plate 4.
- Remove the flue baffle (# 37, fig. 7, p. 11).
- Fit the sealing rope 2 in the groove at rear and fix the flue collar 1 with 3 bolts and washers supplied.
- Replace the flue baffle (# 37, fig. 7, p. 11).
- Replace the top plate.
- Remove the cut-out in the rear heat shield and re fit (fig. 3)

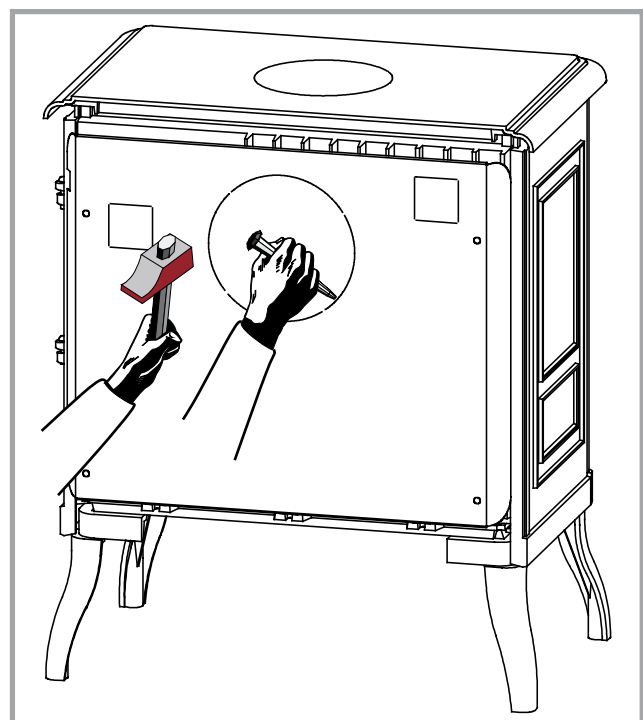


Figure 3 - Rear heat shield

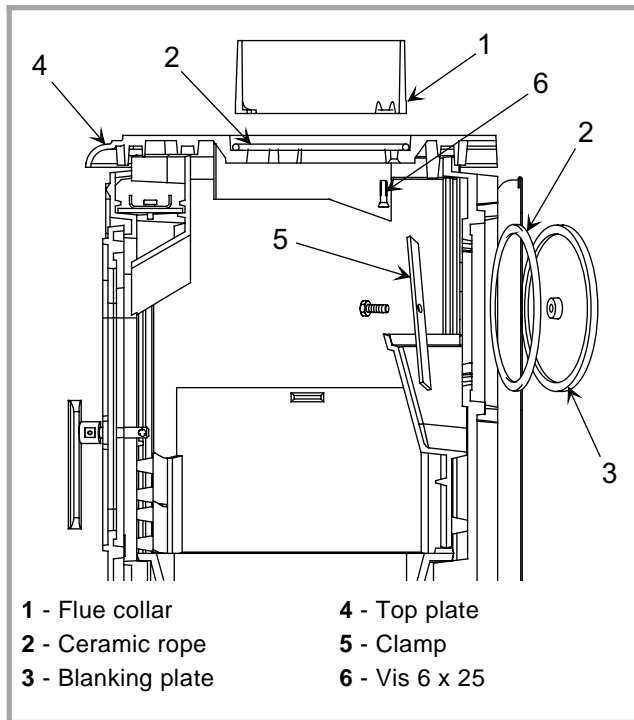


Figure 4 - Smoke exit from top

### 2.3.2. Smoke exit on the top

#### Figure 4

- Remove the top plate 4.
- Remove the flue baffle (# 37, fig. 7, p. 11).
- Remove the blanking plate 3 and the clamp 5 and refit them at the rear, ensuring there is a good seal.
- Fix the flue collar 1 on the top with 3 bolts and washers supplied, ensuring there is a good seal.
- Replace the flue baffle (# 37, fig. 7, p. 11).
- Replace the top plate.

In this case, the cut-out of the heat shield must not be removed.

### 2.4. Connection to flue

- The stove must be installed as close as possible to the chimney.
- The stove should be connected to the flue by a smoke pipe, approved for installation with combustion

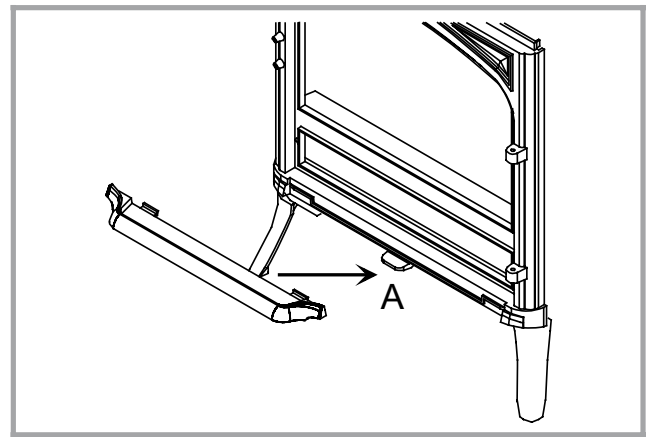


Figure 5 - Mounting the tray

products (e.g. stainless steel 1 mm thick, 20g, or vitreous enamel.).

- Pipe diameter must not be less than the appliance spigot diameter.
- The connection can be either vertical or horizontal. For horizontal connections, avoid right angle bends.
- The joint between the connection pipe and the stovepipe, and the flue, must be leak tight.
- The connection pipe and any draught stabiliser must have access for cleaning.

### 2.5. Mounting the tray

To avoid damage during transport, the tray has been stored behind the main door.

- Fix the tray, on the appliance (ill. 5). Center on tab "A" and lower into place.

### 2.6. Chimney maintenance and sweeping

**Very important** : To avoid accidents (chimney fire, etc.), regular maintenance should be carried out. If the stove is regularly used, the chimney should be swept several times per year, together with the stovepipe connection section.

First remove the two retainer grates (# 30, fig. 7, p. 11), the three side bricks (# 15, 27 & 28, fig. 7, p. 11) and the flue baffle (# 37, fig. 7, p. 11)

Chimney condition should be checked at least once per year.

## 3. Instructions for user

### 3.1. Fuel

• **Recommended fuel : Wood** with the grate provided (code 309231)

- Use hard wood logs, which have been cut for at least two years and stored, under shelter.
- Hardwood has a higher calorific value per cu metre (oak, ash, maple, birch, elm, beech, etc.).
- Large logs must be split and cut to a usable length, before being stored in a sheltered and ventilated place.

• **Recommended fuel with the coal grate (code 308712)**

Smokeless fuels, including coolite nuts, phurnacite, ancit and extracite.

• **Not recommended as fuel :**

- "Green wood". Green or damp wood reduces stove efficiency and soils the glass, the internal walls and the flue (soot, tar, etc.).
- "used timbers". Burning treated wood (railway sleepers, telegraph poles, offcuts of plywood or chip board, pallets, etc.) quickly clogs the flue ways (soot, tar, etc.), pollutes the environment (pollution and smell, etc.) and cause the fire to burn too quickly and overheat.

"Green wood" and "recovered wood" can eventually cause a chimney fire.

- **Prohibited fuel :** Homefire and any form of bituminous coal or petroleum based coke.

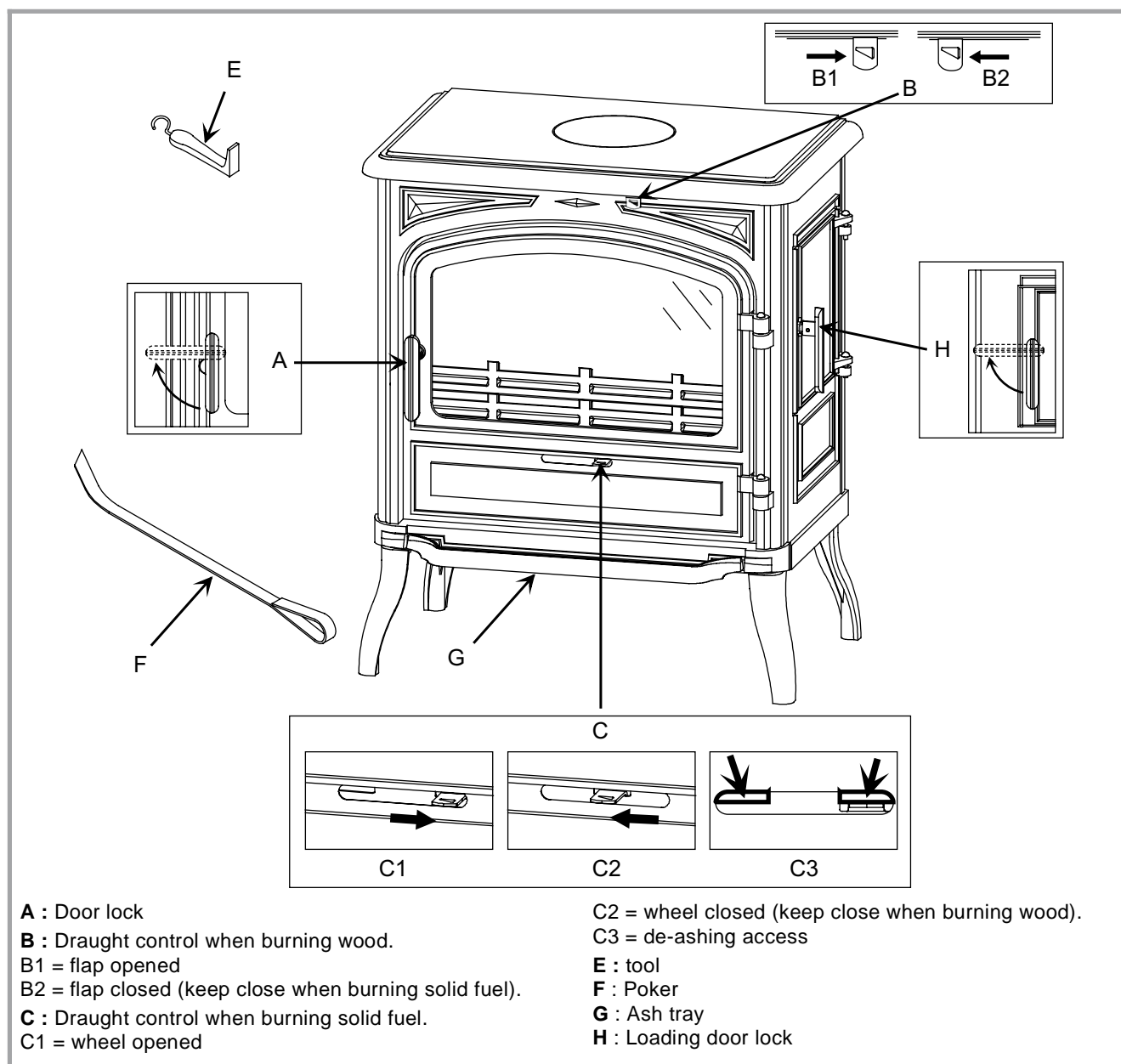


Figure 6 - Operating devices

## 3.2. Instruction for use with wood

### 3.2.1. lighting

#### Figure 6

- Slide the top air control (# B1) and the lower air control (# C1) to the right. Open the lower spin wheel (# C1).
- Open the front door and lay firelighters or rolled up newspapers on the grate with a reasonable quantity, if necessary, of dry kindling wood. Place 2 or 3 small logs on top.
- Light the newspaper or firelighters using a long taper and close the door (# A).
- When the fire is burning fiercely, add further logs of a diameter up to 10 cms.
- When the stove body is very hot, close the lower air control (# C2).
  - The burning rate can now be adjusted by moving the top air control to the left (# B1). Experience will show you which settings are best for your situation.

**Note :** When the fire is lit for the first time, the stove may give off fumes from the new paint. This is normal but ensure the room is well ventilated during the first few hours of operation.

### 3.2.2. Re-fuelling

It is advisable to wait for the fire to be reduced to hot embers before re-loading. The door should also be opened slowly when re-loading.

## 3.3. Instructions for use with solid fuel

### 3.3.1. Lighting

- Close the top air control by sliding it to the left (# B2).
- Open the lower air control by sliding it to the right (# C1).
- Lay firelighters or rolled up newspapers on the grate with a reasonable quantity, if necessary, of dry kindling wood. Place a small quantity of solid fuel on top.
- Light the newspaper or firelighters using a long taper and close the door.
- When the fire is burning fiercely, add further fuel.
- When the stove body is hot, adjust the burning rate with the lower air control (# C).

### 3.3.2. Re-fuelling

- Open the lower air control (# C1).
- Open the front door and add fuel.
- Leave the lower air control open for a few minutes to allow the initial volatiles in the fuel to burn.
- Adjust the lower air control to the desired position (# C).

## 3.4. Cleaning

It is essential to keep the grate free from a heavy build up of ashes.

*REMEMBER TO BURN SOLID FUEL CORRECTLY, AIR SHOULD BE ALLOWED TO FLOW FROM THE ASH PIT AREA THROUGH THE GRATE AND THROUGH THE FUEL. IF THE GRATE OR ASH PAN ARE CONGESTED, THE PERFORMANCE WILL BE EFFECTED.*

If burning solid fuel, always empty the ash pan at least once a day or whenever it is full of ashes. Never allow the ashpan to overfill allowing ash to be in contact with the underside of the grate. If this condition is allowed, the grate will wear out pre-maturely.

## 3.5. Maintenance of the stove body

- The stove must be regularly cleaned.
  - Remove all deposits from the combustion chamber and clean the grate area.
  - The vitro ceramic glass can only be cleaned using a soft cloth and stove glass cleaner, available from your Franco Belge Dealer. **DO NOT USE ABRASIVES**
  - The vitro ceramic glass resists a temperature of 750°C. If the glass should be broken, it is recommended that only an original factory replacement should be fitted.
- For enamelled finishes, the stove body can be cleaned using a soft cloth either dry, or slightly damp with a very mild detergent.

**NEVER CLEAN ENAMEL SURFACES WHILST THE STOVE IS HOT.**

The cast iron body panels of non-enamelled stoves can be cleaned with a proprietary stove cleaner or re-sprayed / touched up using a stove paint. These products are available from your Franco Belge Dealer.

### 3.6. Trouble Shooting



: This sign means that you should asked for a qualified engineer to do the work.

<i>Problem</i>	<b>Probable causes</b>	- Action
<i>Fire difficult to start Fire goes out</i>	<b>Wood green, too damp or poor quality.</b>	- Use the recommended fuel.
	<b>Logs are too big.</b>	- To light the fire, use small, very dry twigs. To maintain the fire, use split logs.
	<b>Air starvation.</b>	- Open lower air control and top air control lever.
	<b>Insufficient draught.</b> <input checked="" type="checkbox"/>	- Check that the flue is not obstructed, sweep it if necessary - Seek advice from a chimney specialist.
<i>Fire burns too quickly.</i>	<b>Too much draught.</b>	- Ensure that the lower air control is closed - Partially close the top air control lever.
	<b>Excessive draw.</b> <input checked="" type="checkbox"/>	- Install a draught stabiliser. Consult your Dealer.
	<b>Poor quality wood.</b>	- Do not continuously burn small wood, sticks, bundles, carpentry offcuts (plywood, pallets), etc.
<i>Smokes when lighting up.</i>	<b>Flue duct is cold.</b>	- Burn paper and kindling wood to increase heat.
	<b>Room is in decompression.</b>	- In houses equipped with mechanical ventilation, partly open a window until the fire is well established.
<i>Smokes while burning.</i>	<b>Draught is insufficient.</b> <input checked="" type="checkbox"/>	- Consult a chimney specialist. - Check that the flue is not obstructed, sweep if necessary.
	<b>Down draught.</b> <input checked="" type="checkbox"/>	- Install an anti-down draught cowl. Consult your Dealer.
	<b>Room is in decompression.</b> <input checked="" type="checkbox"/>	- In houses equipped with Mechanical Ventilation, an outside air intake must be installed for the chimney.
<i>Low heat output.</i>	<b>Incorrect Fuels.</b>	- Use the recommended fuel.



## 4. Spare parts

When ordering spare parts, specify **the stove type** and **serial number**, including the colour index (on the guarantee or identification plate), the name of the part

and the part number.

**Example** : Wood stove, réf. 134 10 12 Y, top plate 352124 EF.

N°	Code	Description . . . . .	Type . . . . .	Qty
1	100939	Axle . . . . .		04
2	101048	Axle . . . . .		02
3	110404	Hinge pin . . . . .	6x30 . . . . .	02
4	110405	Hinge pin . . . . .	6x35 . . . . .	02
5	134107	Glove . . . . .		01
6	134711	Pin . . . . .	6x30 . . . . .	02
7	134749	Pin . . . . .	4x20 . . . . .	02
8	142301	Adhesive rope . . . . .		1,32 m
9	162721	Descriptive plate . . . . .	9 . . . . .	01
10	181607	Ceramic rope . . . . .	Ø 9,5 . . . . .	1,00 m
11	181614	Ceramic rope . . . . .	d. 9,5 . . . . .	3,40 m
12	181615	Ceramic rope . . . . .	d. 12 . . . . .	1,77 m
13	188780	Ceramic glass . . . . .	439x272x4 . . . . .	01
14	205391	Back panel . . . . .	14 . . . . .	01
15	209915	Protector . . . . .		01
16	222609	Suppl. flue baffle . . . . .		01
17	237413	60 Reducing plate . . . . .		01
18	259015	Fixing plate . . . . .		04
19	270409	Air control flap . . . . .		01
20	270410	60 Air control flap . . . . .		01
21	300122	EF Leg . . . . .		04
22	300462	EF Base . . . . .		01
23	300991	EF Handle . . . . .		02
24	303515	EF Loading door . . . . .		01
25	303718	EF Blanking plate . . . . .		01
26	303826	EF Flue collar . . . . .	Ø 153 int. . . . .	01
27	305015	Wall . . . . .		01
28	305150	Back wall . . . . .		01
29	306278	EF Back wall . . . . .		01
30	307422	Fuel retainer . . . . .		02
31	308712	Coal grate . . . . .		01
32	309897	EF Front plate . . . . .		01
33	310729	EF R. side panel . . . . .		01
34	310826	EF L. side panel . . . . .		01
35	314607	Inner door . . . . .		01
36	315602	Air duct . . . . .		01
37	323211	Flue baffle . . . . .		01
38	325304	EF Reducing plate . . . . .		03
39	327901	EF Tray . . . . .		01
40	331108	EF Main door . . . . .		01
41	352124	EF Top plate . . . . .		01
42	406816	EF Clamp . . . . .		01
43	415504	60 Poker . . . . .		01
44	624043	Ash-pan . . . . .		01
45	808001	ED Hand tool . . . . .		01
46	262608	Heat shield . . . . .		01

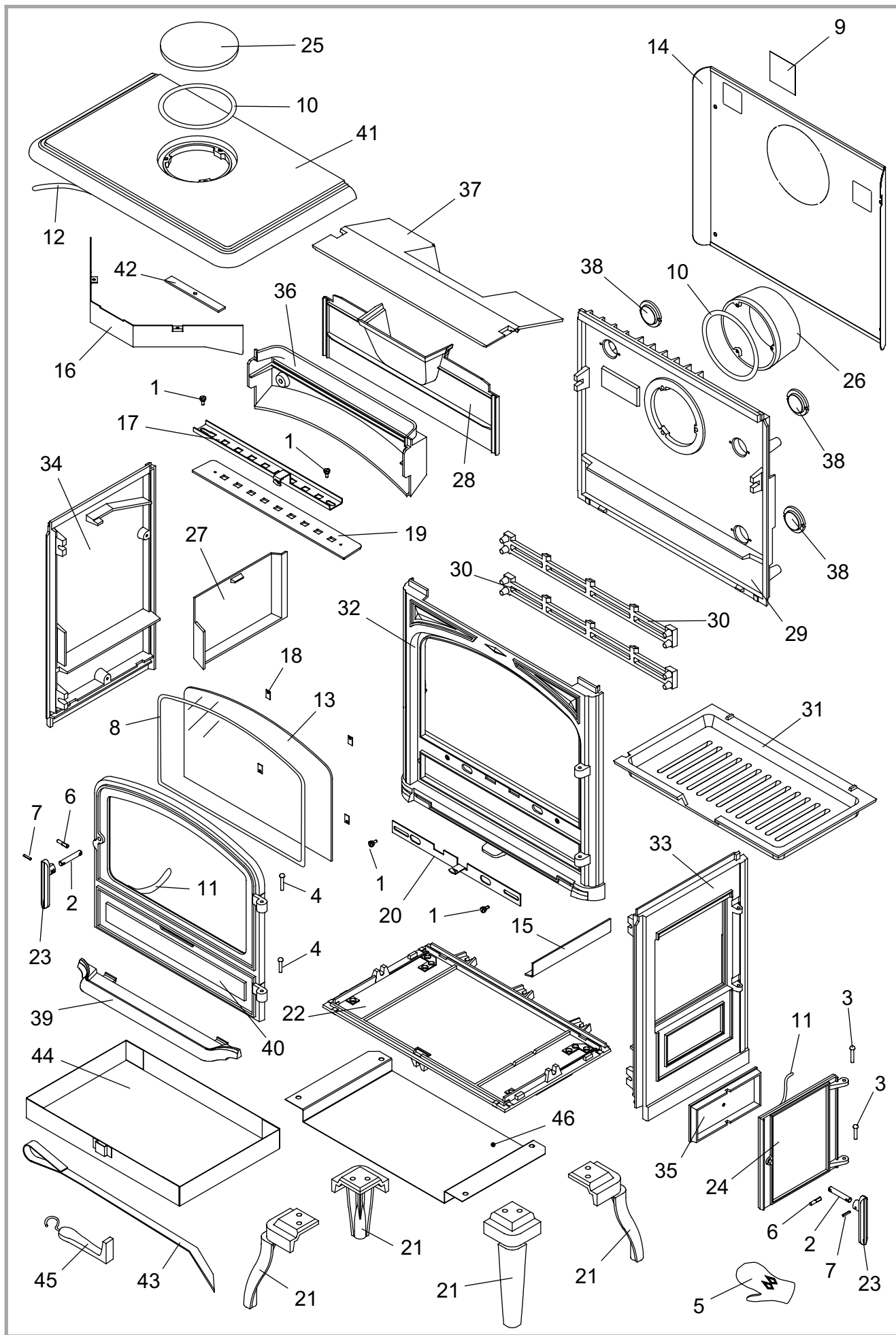


Figure 7 - Stove - exploded view



## Warranty certificate

### Legal warranty

Our products are guaranteed for twelve months against any defect, flaw or imperfection. During this time, all parts judged defective by our Warranty control department may be replaced in our workshops. Incidental costs of transportation and packing payable by the buyer.

Some parts or components have a longer warranty period :

- Cast-iron shell of boiler : 3 years
- Steel shell of boiler : 3 years
- Removable or independent stainless steel hot water cylinder : 5 years
- Independent enamelled steel hot water cylinder : 3 years
- Incorporated circulating pump : 2 years.

### Terms of the warranty

This warranty is only valid if :

- The unit has been installed and checked by a professional installer before operating,
- All installation and adjustment instructions listed in the

technical manual supplied with the unit have been followed,  
- All operation and maintenance instructions have been followed.

### This warranty does not cover :

- Lamps, fuses, spark plugs, cast iron parts directly in contact with burning coal and wood, firebricks, flue baffles, glasses .
- Any damage resulting from the use of fuel not recommended in our instructions ;
- Parts which are damaged by external causes such as unadapted chimneys, thunderstorms, damp, faulty pressure or fail in pressure, thermic anomalies, explosions, etc...
- Electrical parts which are deteriorated by any connection or use on a supply circuit with voltage within 10% of the indicated voltage (230 V in EU).

Material subject to modifications without prior notice. This manual does not engage the responsibility of FRANCO BELGE.

Name and address of the installer : \_\_\_\_\_

\_\_\_\_\_

Telephone : \_\_\_\_\_

Name and address of the customer : \_\_\_\_\_

\_\_\_\_\_

Date of installation : \_\_\_\_ / \_\_\_\_ / \_\_\_\_\_

Model of the appliance :  : 134 10 12

Color :  : Y

Serial number : \_\_\_\_\_

- This certificate has to be completed and kept carefully.

In case of claims, send a copy of this to :

**Les Fonderies Franco-Belges, rue Orphée Variscotte, 59660 MERVILLE, FRANCE.**