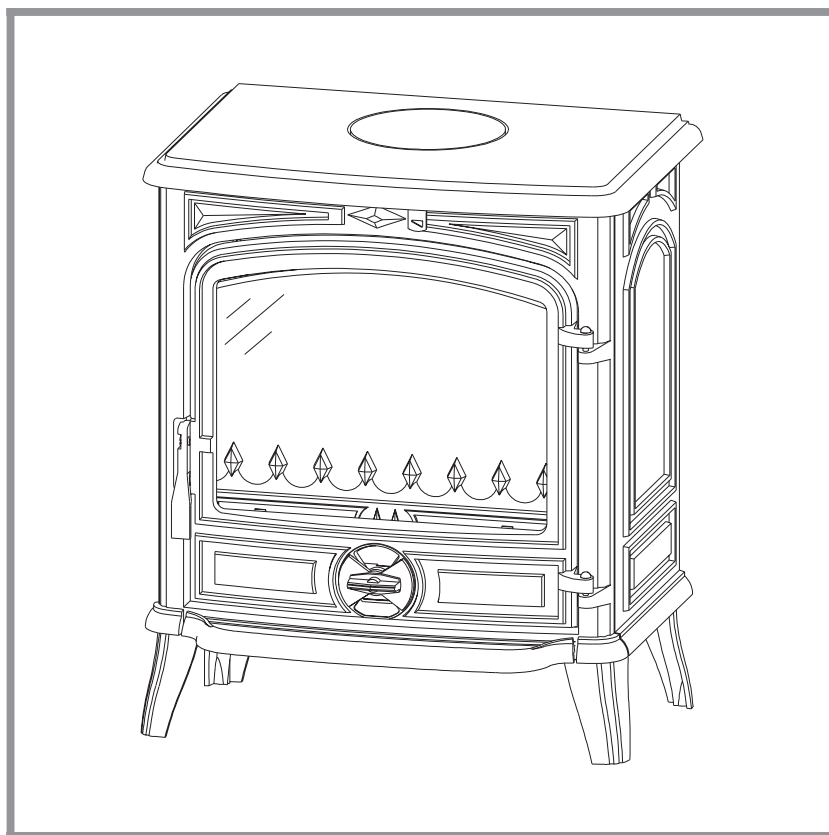


SAVOY

Multifuel stove

Model : 134 08 05

Output : 8 kW



Description of the appliance

Installation instructions

Operating instructions

Spare parts

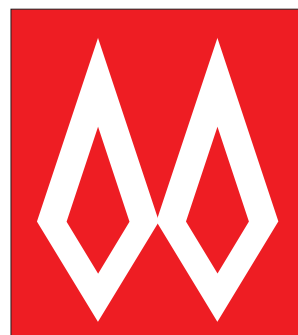
Warranty certificate

Technical manual

to be saved

by the user

for future reference



FRANCO BELGE

Fonderies FRANCO-BELGES

59660 MERVILLE

Phone : 03.28.43.43.43

Fax : 03.28.43.43.99

RC Hazebrouck 445750565B

Subject to modifications

CONTENTS

	Page
Product information	3
Package	3
Optional	3
General characteristics	3
Description	3
Principle of operation	3
Installation instructions	4
The room	4
Flue	4
Connection to flue	4
Assembly of flue spigot and blanking plates	5
Door closing pressure	6
Mounting the tray	6
Chimney maintenance and sweeping	6
Instructions for user	7
Fuel	7
Lighting	8
Re-fuelling	8
Cleaning	8
Maintenance of the stove body	8
Trouble Shooting	9
Spare parts	11

WARNING

The appliance must be installed in compliance with Current Building Regulations. Incorrectly installed, this appliance can be dangerous and possibly cause serious accidents.

The manufacturer's responsibility shall be limited to the supply of the equipment. □

1. Product information

1.1. Package

- 1 package : Stove complete.

1.2. Optional

☒ Boiler

1.3. General characteristics

Reference	134 08 05
Maximum output kW	8
Chimney draft required Pa	10
<i>Grate dimensions</i>	
- width mm	450
- depth mm	240
- usable height mm	365
<i>Log dimensions</i>	
- Length cm	40
- Diameter cm	10 à 16
Ash pan capacity litres	3
Net weight kg	100
Volume heated m ³	300
Autonomy h	10

1.4. Description

Multifuel stove.

Fuel burnt on grate.

Removable appliance, to be installed near a wall.

Detachable flue spigot for rear or top chimney connection.

Detachable top for easy handling and cleaning (rear smoke exit only).

Adjustable air controls for controlling the burning rate.

Spin wheel for lighting.

Large ash-pan.

1.5. Principle of operation

The " Savoy " is designed for operation with the door closed.

Heat is mainly diffused by radiation, through the window and body of the appliance.

Combustion occurs on the grate, with draught entry through the top of the combustion chamber when using wood or coal.

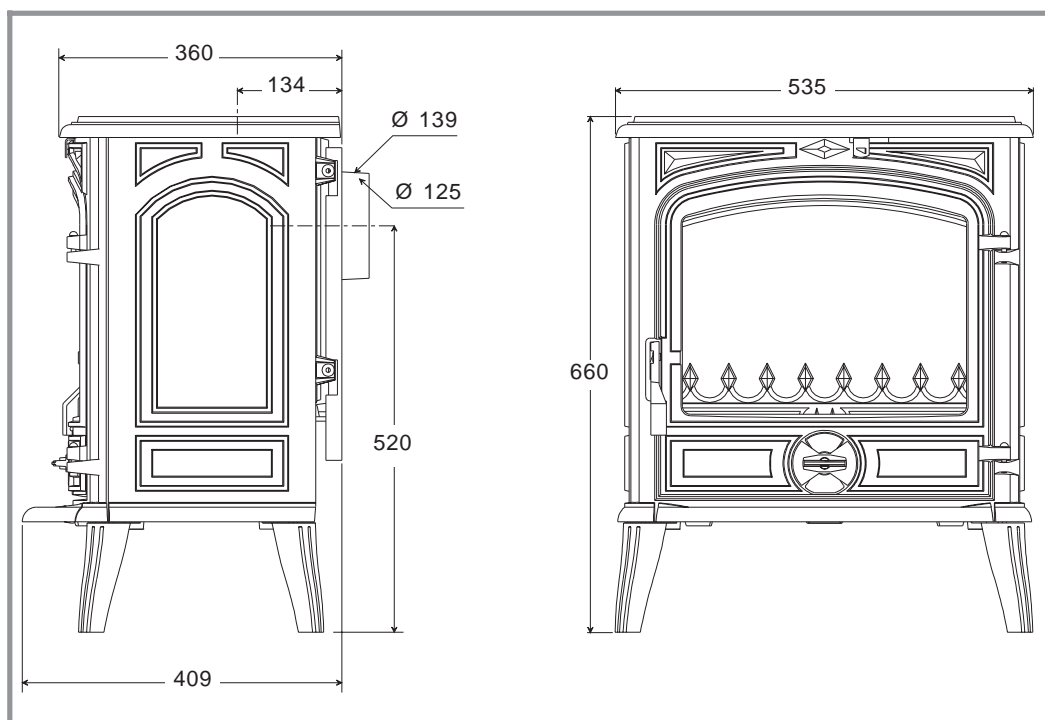


Figure 1 - Dimensions
in mm

2. Installation instructions

2.1. The room

Ventilation :

For satisfactory operation with a natural draught, check that sufficient air for combustion is available in the room.

Chimney position :

For new chimney installations, select a central position within the building, to provide a good heat distribution around the building.

Hearth :

The hearth must be suitable for use with solid fuel burning appliances and must comply with Current Building Regulations. If in doubt, consult your Dealer or local Building Inspector.

Rear wall and ceiling :

The appliance must not be positioned close to combustible materials, wall & ceiling surfaces etc., Consult your Dealer or local Building Inspector if in doubt.

- Pipe diameter must not be less than the appliance spigot diameter.
- The connection can be either vertical or horizontal. For horizontal connections, avoid right angle bends.
- The join between the connection pipe and the stovepipe, and the flue, must be leak tight.
- The connection pipe and any draught stabiliser must have access for cleaning.

2.2. Flue

Existing flue :

- The flue must be in good condition and must provide sufficient draught.
- The flue must be suitable for the installation of solid fuel burning appliances and comply with Current Building Regulations.
- The flue must be clean. It should be swept to remove soot and dislodge tar deposits.
- The flue must be well insulated. If the flue inner wall surfaces are cold, a good thermal draw is impossible causing condensation problems (tar formation etc.) to occur.
- The flue must not be shared with other appliances.
- The recommended minimum flue height is 5 meters.
- If the chimney has any down draught tendency, due to its position in relation to nearby obstacles, then an anti-down draught cowl must be installed on the chimney or the chimney height must be increased.
- If the decompression in the chimney is excessive, a draught stabiliser must be installed.

Chimney to be built / Flue non-existent :

- The flue must not be supported by the stove.
- Consult a chimney specialist for advice on suitable flue systems for solid fuel appliances.

2.3. Connection to flue

- The stove must be installed as close as possible to the chimney.
- The stove should be connected to the flue by a smoke pipe, approved for installation with combustion products (e.g. stainless steel 1 mm thick, 20g, or vitreous enamel.).

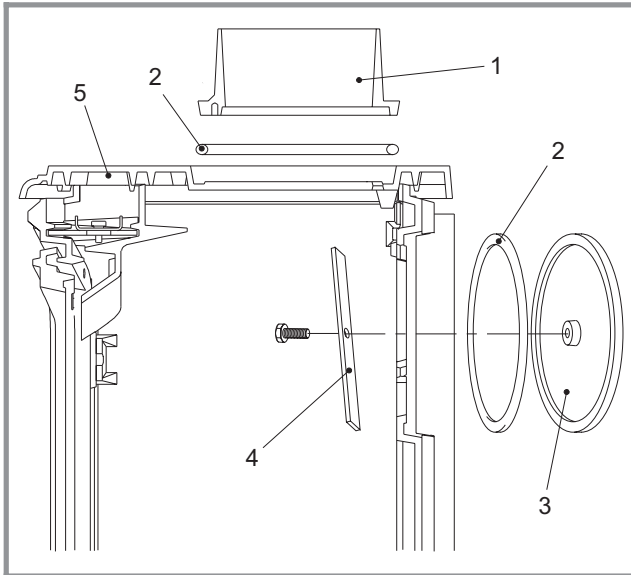


Figure 2 - Flue outlet on the top

- | | |
|--------------------|---------------|
| 1 - Flue collar | 4 - Clamp |
| 2 - Ceramic rope | 5 - Top plate |
| 3 - Blanking plate | |

2.4. Assembly of flue spigot and blanking plates

The stove is supplied with a connection flue spigot with an inner diameter of 125 mm and an outer diameter of 139 mm.

2.4.1. Flue outlet on the top

Figure 2

Remove the top plate.

Fit the sealing rope 2 in the groove on the top and fix the flue collar 1 with 3 bolts and washers supplied.

Replace the top plate.

2.4.2. Flue outlet at rear

Figure 4

Remove the top plate.

Remove the rear heat shield and remove the cut-out on it (fig. 3).

Remove the retainer fuel (fig. 7, p. 6), the two side bricks # 23 and 24 p. 10) and the flue baffle (fig. 8, p. 6).

Remove the blanking plate 3 and the clamp 4 and assembly in the top, ensuring there is a good seal.

Fix the flue collar 1 at rear with 3 bolts and washers supplied, ensuring there is a good seal.

Remove the cut-out in the rear heat shield and re-fit.

Replace top plate.

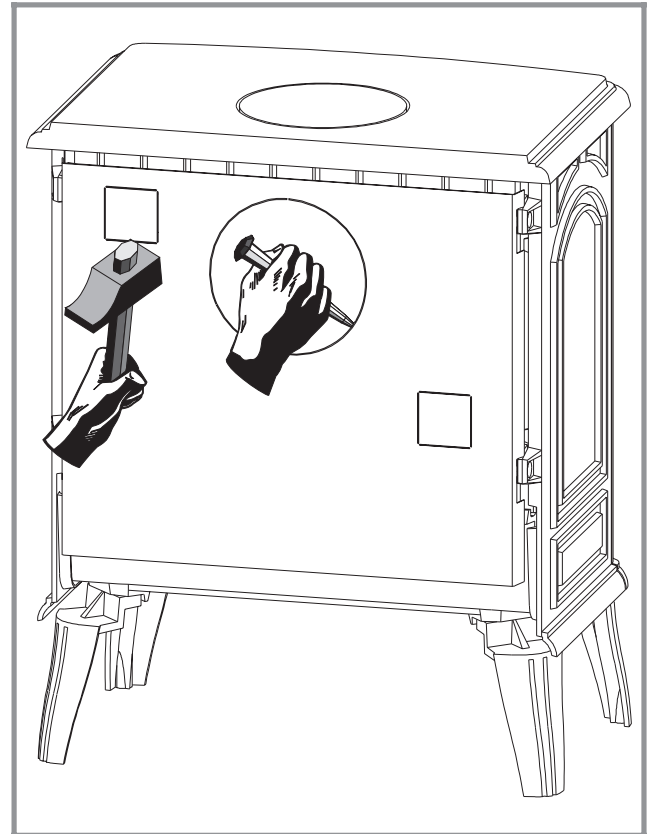


Figure 3 - Rear heat shield

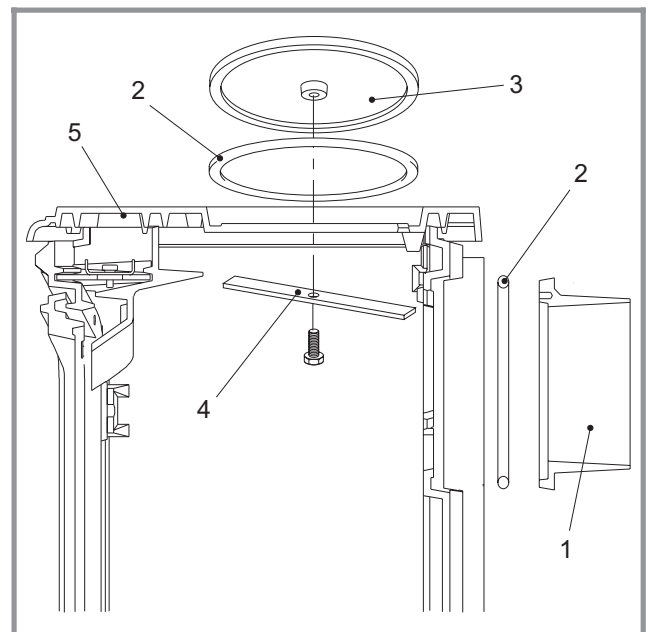


Figure 4 - Rear flue outlet

- | | |
|--------------------|---------------|
| 1 - Flue collar | 4 - Clamp |
| 2 - Ceramic rope | 5 - Top plate |
| 3 - Blanking plate | |

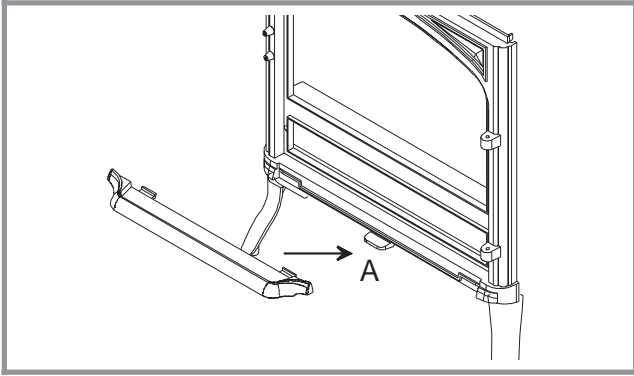


Figure 5 - Mounting the tray

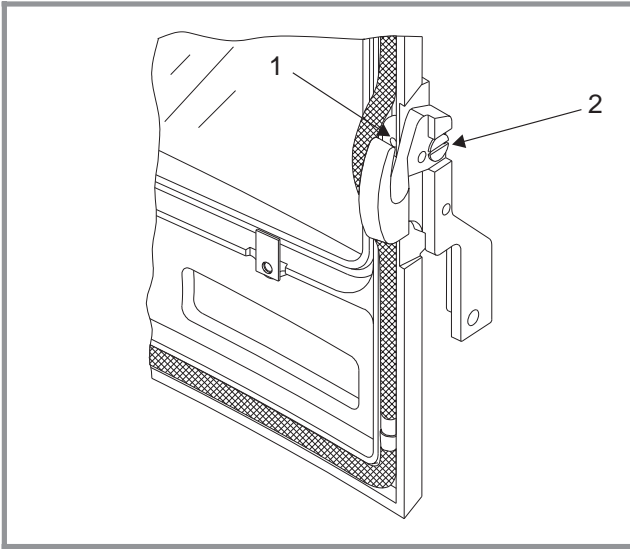


Figure 6 - Door closing pressure

2.5. Door closing pressure

Figure 6

The closing latch rotates around a pressure screw positioned cam.

- Remove gently the ceramics rope
- Loosen pressure screw 1.
- Turn cam 2 to desired position.
- Tighten pressure screw 1.

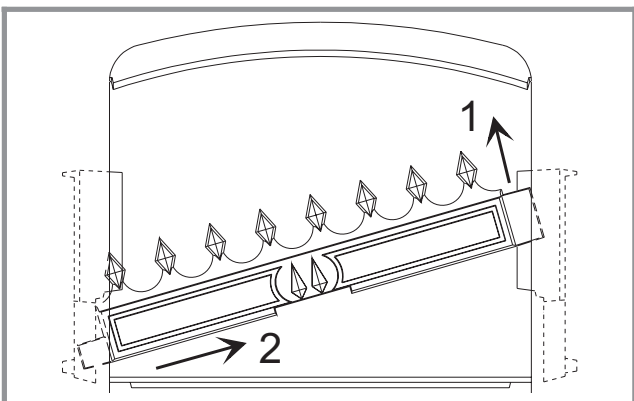


Figure 7 - Removing the fuel retainer

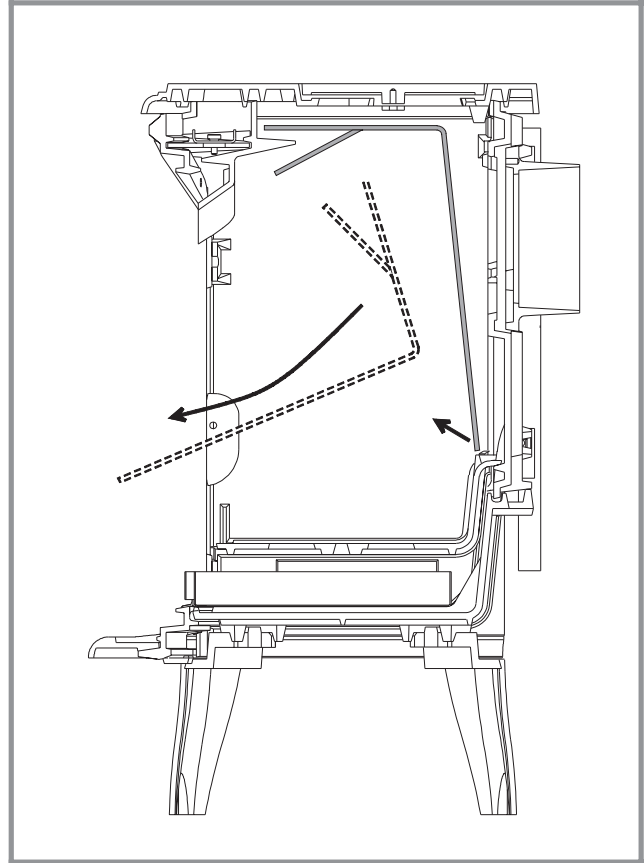


Figure 8 - Removing the flue baffle

2.6. Mounting the tray

To avoid damage during transport, the tray has been stored behind the main door.

- Fixed the tray, of the appliance (ill. 5). Center on tab "A" and lower into place.

2.7. Chimney maintenance and sweeping

Very important : To avoid accidents (chimney fire, etc.), regular maintenance should be carried out. If the stove is regularly used, the chimney should be swept several times per year, together with the stove pipe connection section.

First remove the retainer grate (fig. 7), the two side bricks (# 23 & 24, p. 10) and the flue baffle (fig. 8)

Chimney condition should be checked at least once per year.

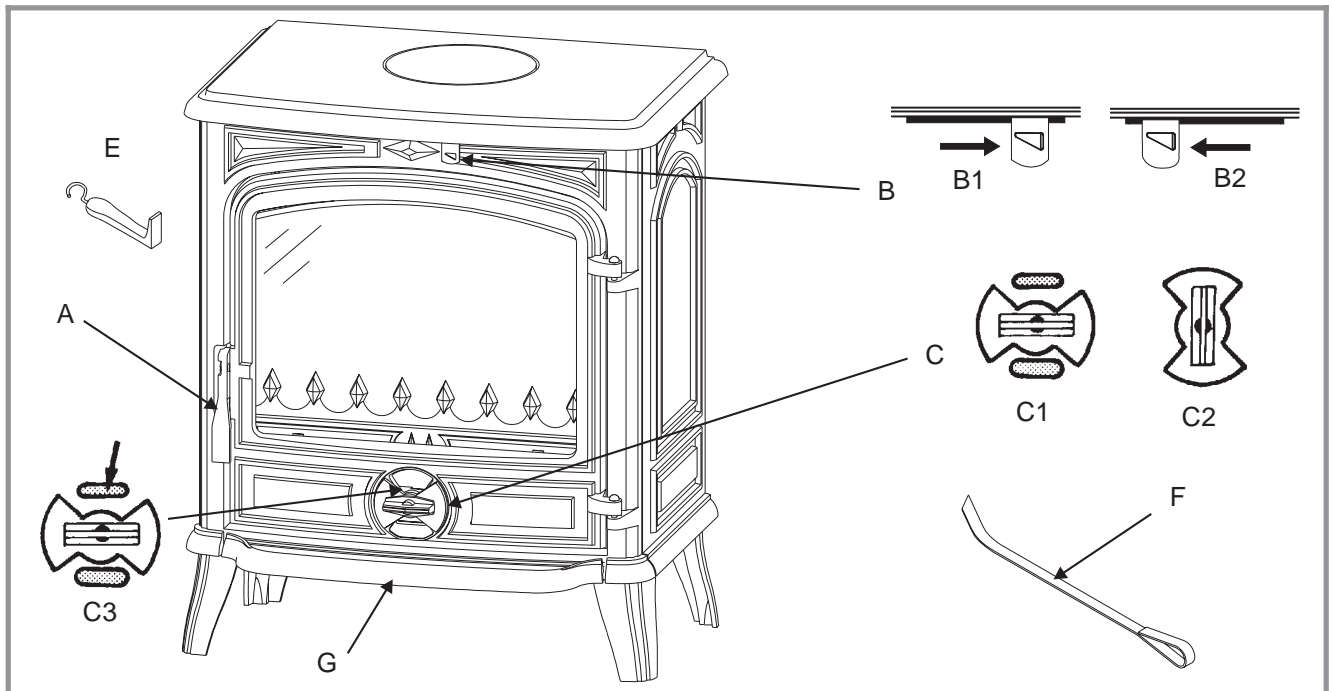


Figure 9 - Operating devices

A : Door lock

B : Draught control
B1 = flap opened
B2 = flap closed

C : Spin wheel for lighting
C1 = wheel opened

C2 = wheel closed

C3 = de-ashing access

E : Tool

F : Poker

G : Ash tray

3. Instructions for user

Don't run the stove in mild weather with coal : Under certain circumstances (e.g. fog and repeated thaw) the chimney will not draw sufficiently well and thus be at the origin of asphyxia. Awaiting better weather circumstances, don't use any coal but only wood.

Warning : properly installed and operated this appliance will not emit fumes into the dwelling. Occasional fumes from de-ashing and re-fuelling may occur. Persistent fume emission is dangerous and must not be tolerated. If fume emission does persist :

- Open doors and windows to ventilate room
- Let the fire out and dispose of fuel from the appliance
- Check for flue or chimney blockage, and clean if required

Do not attempt to relight the fire until the cause of the fume emission has been identified and corrected. If necessary seek expert advice.

Note : It is recommended to use a fireguard in the presence of children, and also in the presence of old and/or infirm people.

3.1. Fuel

Recommended fuel : The best fuels for use with the Franco Belge "Savoy" are :

▫ Smokeless fuels, including coolite nuts, phurnacite, ancit, extracite and pureheat - Sunbrite (Small) - Anthracite (Medium)

▫ Dry Wood. - Use hard wood logs which have been cut for at least two years and stored under shelter.

- Hardwood has a higher calorific value per cu metre (oak, ash, maple, birch, elm, beech, etc.).

Prohibited fuel :

▫ Homefire and any form of bituminous coal or petroleum based coke.

▫ "Green wood". Green or damp wood reduces stove efficiency and makes the window, the internal walls and the flue dirty (soot, tar, etc.).

▫ "Used timbers". Burning treated wood (railway sleepers, telegraph poles, offcuts of plywood or chip board, pallets, etc.) quickly clogs the flue ways (soot, tar, etc.), pollutes the environment (pollution and smell, etc.) and cause the fire to burn too quickly and overheat.

"Green wood" and "recovered wood" can cause a chimney fire.

3.2. Lighting

Figure 9

- Slide the top air control (# B1) to the right. Open the lower spin wheel (# C1).
- Lay firelighters or rolled up newspapers on the grate with a reasonable quantity, if necessary, of dry kindling wood. Place 2 or 3 small logs on top.
- Light the newspaper or firelighters using a long taper and close the door (# A).
- When the fire is burning fiercely, add further logs of a diameter up to 10 cms.
- When the stove body is very hot, close the lower spin wheel (# C2).

The burning rate can now be adjusted by moving the top air control to the left (# B1). Experience will show you which settings are best for your situation.

Note : When the fire is lit for the first time, the stove may give off fumes from the new paint. This is normal but ensure the room is well ventilated during the first few hours of operation.

3.3. Re-fuelling

It is advisable to wait for the fire to be reduced to hot embers before re-loading. The door should also be opened slowly when re-loading.

3.4. Cleaning

It is essential to keep the grate free from a heavy build up of ashes.

REMEMBER TO BURN SOLID FUEL CORRECTLY, AIR SHOULD BE ALLOWED TO FLOW FROM THE ASH PIT AREA THROUGH THE GRATE AND THROUGH THE FUEL. IF THE GRATE OR ASH PAN ARE CONGESTED, THE PERFORMANCE WILL BE EFFECTED.

If burning solid fuel, always empty the ash pan at least once a day or whenever it is full of ashes. Never allow the ashpan to overfill allowing ash to be in contact with the underside of the grate. If this condition is allowed, the grate will wear out pre-maturely.

3.5. Maintenance of the stove body

The stove must be regularly cleaned.

Remove all deposits from the combustion chamber and clean the grate area.

The vitro ceramic glass can only be cleaned using a soft cloth and stove glass cleaner, available from your Franco Belge Dealer. **DO NOT USE ABRASIVES**

The vitro ceramic glass resists a temperature of 750°C. If the glass should be broken, it is recommended that only an original factory replacement should be fitted.

For enamelled finishes, the stove body can be cleaned using a soft cloth either dry, or slightly damp with a very mild detergent.

NEVER CLEAN ENAMEL SURFACES WHILST THE STOVE IS HOT.

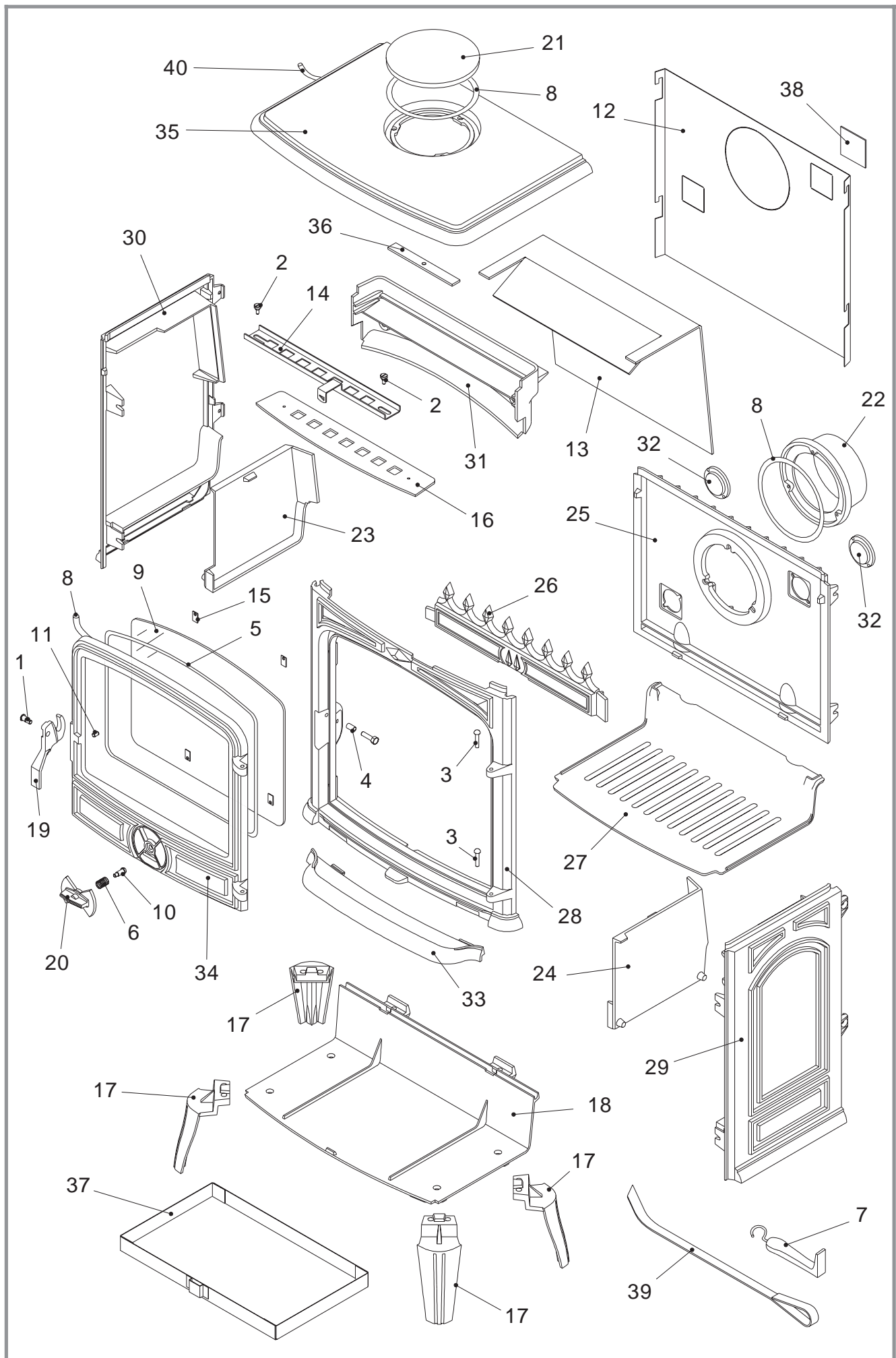
The cast iron body panels of non-enamelled stoves can be cleaned with a proprietary stove cleaner or re-sprayed / touched up using a stove paint. These products are available from your Franco Belge Dealer.

3.6. Trouble Shooting



: This sign means that you should asked for a qualified engineer to do the work.

<i>Problem</i>	Probable causes	Action
<i>Fire difficult to start Fire goes out</i>	Wood green, too damp or poor quality.	- Use the recommended fuel.
	Logs are too big.	- To light the fire, use small, very dry twigs. To maintain the fire, use split logs.
	Air starvation.	- Open lower spin wheel and top air control lever.
	Insufficient draught.	<input checked="" type="checkbox"/> - Check that the flue is not obstructed, sweep it if necessary - Seek advice from a chimney specialist.
<i>Fire burns too quickly</i>	Too much draught.	- Ensure that the lower spin wheel is closed - Partially close the top air control lever.
	Excessive draw.	<input checked="" type="checkbox"/> - Install a draught stabiliser. Consult your Dealer.
	Poor quality wood.	- Do not continuously burn small wood, sticks, bundles, carpentry offcuts (plywood, pallets), etc.
<i>Smokes when lighting up.</i>	Flue duct is cold.	- Burn paper and kindling wood to increase heat.
	Room is in decompression.	- In houses equipped with mechanical ventilation, partly open a window until the fire is well established.
<i>Smokes while burning.</i>	Draught is insufficient.	<input checked="" type="checkbox"/> - Consult a chimney specialist. - Check that the flue is not obstructed, sweep if necessary.
	Down draught.	<input checked="" type="checkbox"/> - Install an anti-down draught cowl. Consult your Dealer.
	Room is in decompression.	<input checked="" type="checkbox"/> - In houses equipped with Mechanical Ventilation, an outside air intake must be installed for the chimney.
<i>Low heat output.</i>	Incorrect Fuels.	- Use the recommended fuel.

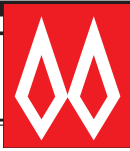


4. Spare parts

When ordering spare parts, specify **the stove type** and **serial number**, including the colour index (on the guarantee or identification plate), the name of the part and the part number.

Example : Wood stove, réf. 134 08 05, colour ref. : Y, top plate 352150 EF.

N°	Code	Description	Type	Qty
1	100917	Cam pin	12x20 M7	01
2	100939	Axle		02
3	110404	Hinge pin	6x30	02
4	134253	Bushing		01
5	142301	Adhesive rope		1,30 m
6	166003	Spring	11x15	01
7	808001	60 Hand tool		01
8	181607	Ceramic rope	Ø 9,5	2,50 m
9	188812	Ceramic glass	379x293x4	01
10	189103	Screw	27x8x6	01
11	189825	Screw	HC M5x6	01
12	205362	Back panel		01
13	222556	Flue baffle		01
14	237411	EF Reducing plate		01
15	259015	Fixing plate		04
16	270408	Air control flap		01
17	300127	EF Leg		04
18	300481	EF Base		01
19	301526	EF Door lock		01
20	301742	EF Air damper		01
21	303718	EF Blanking plate		01
22	303860	EF Flue collar		01
23	305014	Wall		01
24	305212	Wall		01
25	306276	EF Back wall		01
26	307434	EF Fuel retainer		01
27	308711	Coal grate		01
28	309891	EF Front plate		01
29	310726	EF R. side panel		01
30	310824	EF L. side panel		01
31	315607	Air duct		01
32	325304	Reducing plate		02
33	327903	EF Ash-tray		01
34	331104	EF Main door		01
35	352150	EF Top plate		01
36	406816	Clamp		01
37	624042	Ash-pan		01
38	162573	Descriptive plate		01
39	415504	60 Poker		01
40	181619	Ceramic rope	Ø 12	1,60 m



Warranty certificate

Legal warranty

Our products are guaranteed for twelve months against any defect, flaw or imperfection. During this time, all parts judged defective by our Warranty control department may be replaced in our workshops. Incidental costs of transportation and packing payable by the buyer.

Some parts or components have a longer warranty period :

- Cast-iron shell of boiler : 3 years
- Steel shell of boiler : 3 years
- Removable or independent stainless steel hot water cylinder : 5 years
- Independent enamelled steel hot water cylinder : 3 years
- Incorporated circulating pump : 2 years.

Terms of the warranty

This warranty is only valid if :

- The unit has been installed and checked by a professional installer before operating,

- All installation and adjustment instructions listed in the technical manual supplied with the unit have been followed,
- All operation and maintenance instructions have been followed.

This warranty does not cover :

- Lamps, fuses, spark plugs, cast iron parts directly in contact with burning coal and wood, firebricks, glasses .
- Any damage resulting from the use of fuel not recommended in our instructions ;
- Parts which are damaged by external causes such as unadapted chimneys, thunderstorms, damp, faulty pressure or fail in pressure, thermic anomalies, explosions, etc...
- Electrical parts which are deteriorated by any connection or use on a supply circuit with voltage within 10% of the indicted voltage (230 V).

Material subject to modifications without prior notice. This manual does not engage the responsibility of FRANCO BELGE.

<input type="checkbox"/> Installer : <hr style="border-top: 1px dashed black;"/> <hr style="border-top: 1px dashed black;"/> Name and address <input type="checkbox"/> Telephone :
<input type="checkbox"/> Customer : <hr style="border-top: 1px dashed black;"/> <hr style="border-top: 1px dashed black;"/> Name and address
Date of installation :
Model of the appliance : <input type="checkbox"/> 134 08 05
Color : <input type="checkbox"/> Y
Serial number : <hr style="border-top: 1px dashed black;"/>
<p>• This certificate has to be completed and kept carefully.</p> <p>In case of claims, send a copy of this to :</p> <p>Les Fonderies Franco-Belges, rue Orphée Variscotte, 59660 MERVILLE, FRANCE.</p>