

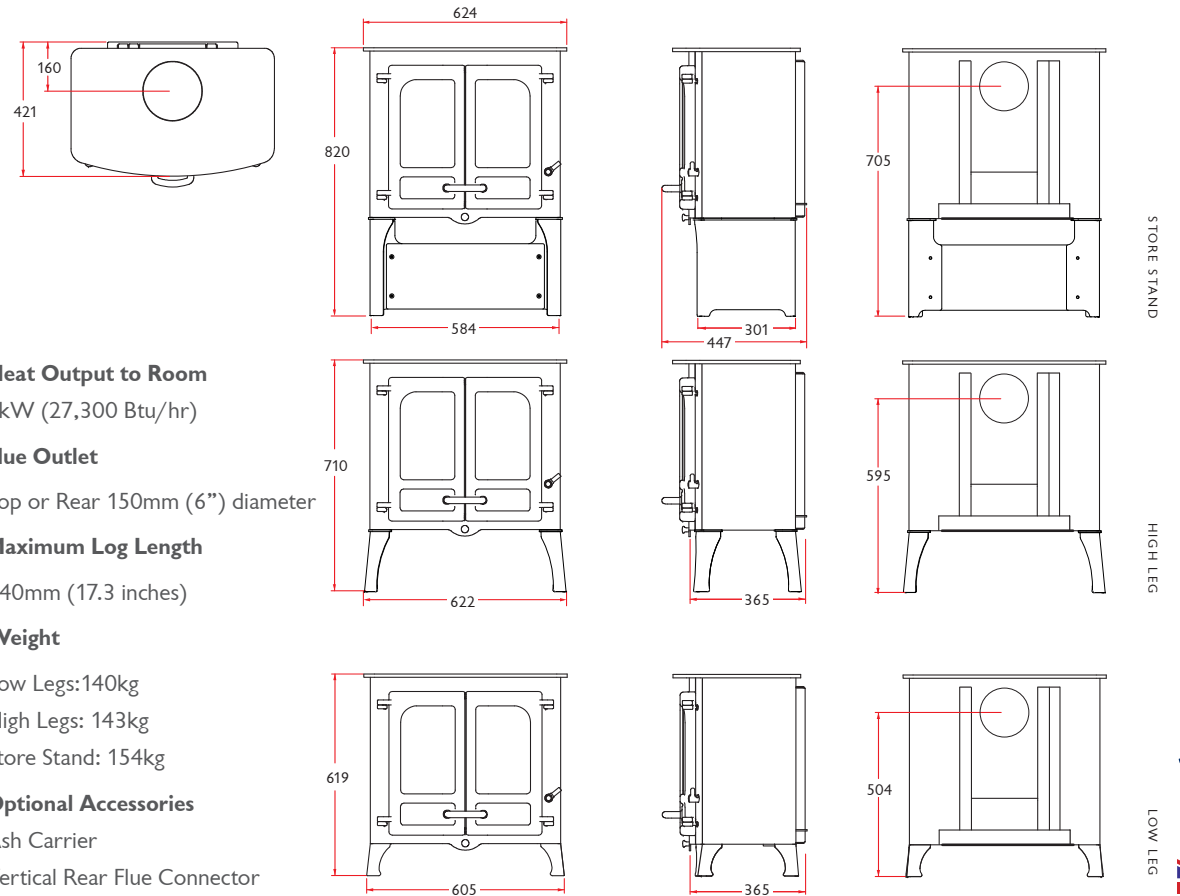
charnwood 

ISLAND II

STOVE DIMENSIONS



The Charnwood Island II is the middle stove in the Island collection. With a slightly larger view of the fire it still retains its clean-line proportions while producing a nominal 8kW of heat to the room. It can take a log length of up to 440mm (17").



Heat Output to Room

8kW (27,300 Btu/hr)

Flue Outlet

Top or Rear 150mm (6") diameter

Maximum Log Length

440mm (17.3 inches)

Weight

Low Legs: 140kg

High Legs: 143kg

Store Stand: 154kg

Optional Accessories

Ash Carrier

Vertical Rear Flue Connector

STORE STAND

HIGH LEG

LOW LEG

