

---

# ARDENNES

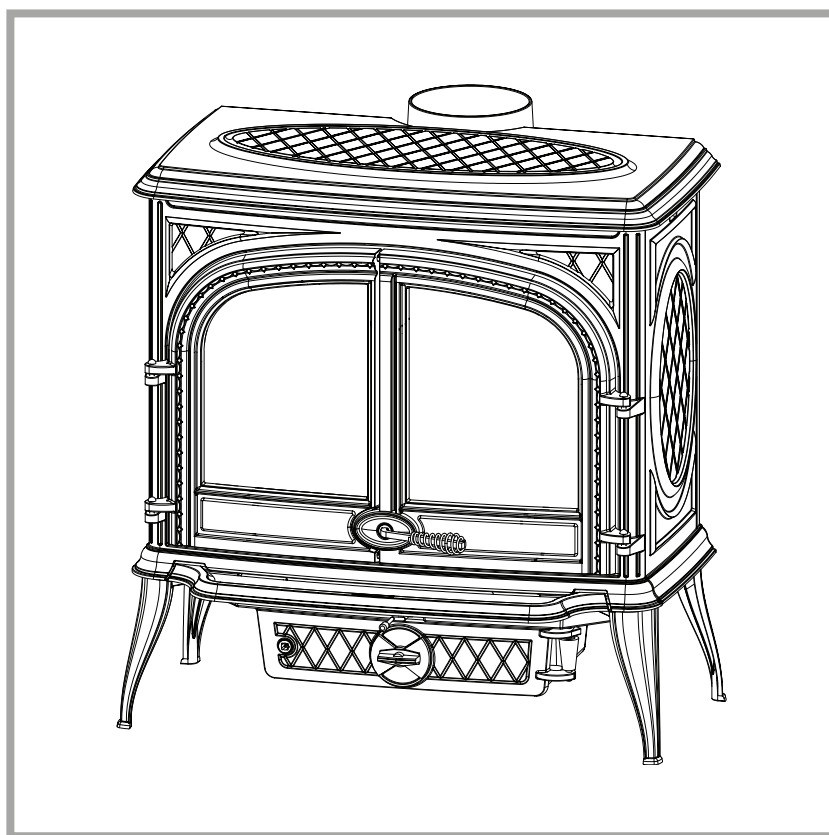
---

Wood stove

EN 13240

**Model : 134 15 02**

Output : 15 kW



Description of the appliance

Installation instructions

Operating instructions

Spare parts

Warranty certificate

---

Document n° 1220-2 ~ 16/03/2007

FR

EN

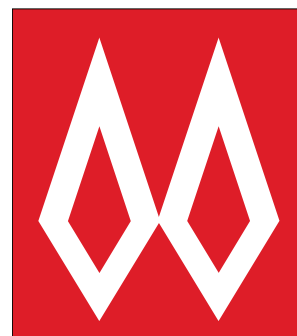


**Technical manual**

to be saved

by the user

for future reference



**FRANCO BELGE**

***STAUB FONDERIE***

SARL with the capital of 6 359 540 €  
Head Office Address  
2, rue Saint Gilles  
68230 TURCKHEIM  
RCS Colmar  
SIREN 444 881 953

Address  
Administration and manufacturing  
BP 73  
59660 MERVILLE (FRANCE)  
Telephone : 00 333 28 43 43 00  
Fax : 00 333 28 43 43 99

Subject to modifications.

FRANCO BELGE congratulates you on your choice.  
FRANCO BELGE, guarantees the quality of its appliances and is committed to meet its customers' needs.  
FRANCO BELGE, which can boast a 80-year experience in the industry of heating devices, uses state-of-the-art technologies to design and manufacture its whole range of products.  
This document contains instructions on how to install your appliance and make full use of its functions, both for your comfort and safety.

---

## CONTENTS

---

|  |              |
|--|--------------|
| <b>Description of the unit</b> . . . . .   | <b>p. 3</b>  |
| Package . . . . .                          | p. 3         |
| Specifications . . . . .                   | p. 3         |
| Appliance description . . . . .            | p. 3         |
| Operating principle. . . . .               | p. 3         |
| <b>Installation instructions</b> . . . . . | <b>p. 4</b>  |
| Warning to the user . . . . .              | p. 4         |
| Location of the unit . . . . .             | p. 4         |
| Chimney . . . . .                          | p. 5         |
| Mounting the flue collar . . . . .         | p. 5         |
| Mounting the tray . . . . .                | p. 5         |
| Chimney connector . . . . .                | p. 6         |
| Pre-utilisation check . . . . .            | p. 6         |
| Maintenance of the Chimney . . . . .       | p. 6         |
| <b>Instructions for user</b> . . . . .     | <b>p. 7</b>  |
| Fuel . . . . .                             | p. 7         |
| Lighting . . . . .                         | p. 7         |
| Operating procedure. . . . .               | p. 8         |
| De-ashing . . . . .                        | p. 8         |
| Maintenance of the Chimney . . . . .       | p. 8         |
| Maintenance of the stove . . . . .         | p. 8         |
| Safety advice. . . . .                     | p. 8         |
| Trouble shooting . . . . .                 | p. 9         |
| <b>Spare parts</b> . . . . .               | <b>p. 10</b> |

---

**This appliance is meant to burn wood safely**

**WARNING**

**Incorrectly installed, this appliance can be dangerous and possibly cause serious accidents.**

**We recommend that you engage the services of a professional engineer for its installation and the regular maintenance requirements.**

# 1 Description of the unit

## 1.1 Package

- 1 package : Stove

## 1.2 Specifications

|   |                  |
|---|------------------|
| <b>Model.</b> . . . . .                   | <b>134 15 02</b> |
| Hearth dimensions<br>(combustion chamber) |                  |
| - Width . . . . . mm                      | 587              |
| - Depth . . . . . mm                      | 343              |
| - Height . . . . . mm                     | 300              |
| Logs dimensions                           |                  |
| - Depth maxi . . . . . cm                 | 57               |
| Ash pan capacity . . . . . litre          | 5                |
| Weight . . . . . kg                       | 180              |
| Heated volume . . . . . m <sup>3</sup>    | 650              |
| - Chimney draught required . . . . . Pa   | 12               |
| - Nominal Heat Output . . . . . kW        | 14,9             |
| - Flue mean gas temperature. . . . . C°   | 254              |
| - Efficiency . . . . . %                  | 77,3             |
| - Co (13% O <sub>2</sub> ) . . . . . %    | 0,23             |

**Note :** The indicated performances result from tests carried out in accordance with standard EN 13240 with logs of Ø 12 cm, of depth 40 cm and a draught of 12 Pa, fuel mass of 5 kg.

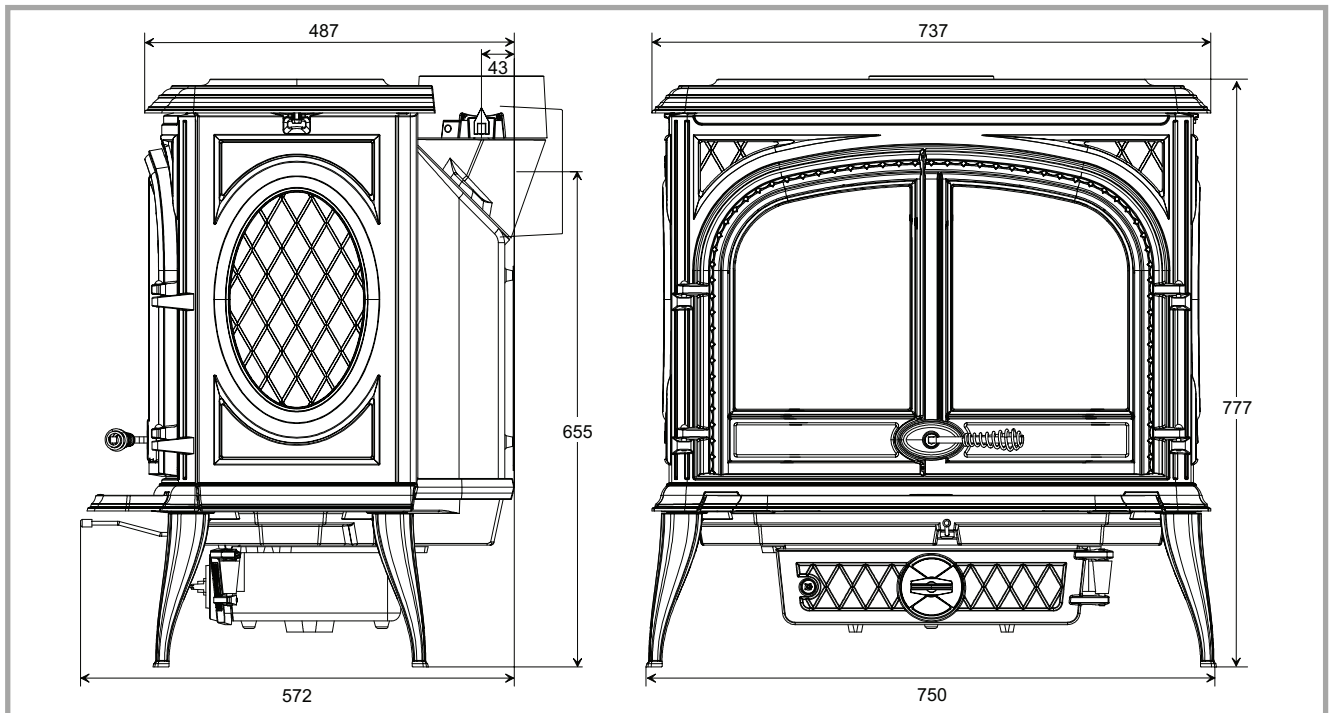
## 1.3 Appliance description

Wood stove - in conformity with EN 13240

- intermittent-burning heating appliance.
- Detachable flue spigot for rear or top chimney connection.
- Front loading door fitted with large refractory glass panel.
- Adjustable air control for controlling the burning rate.
- Large ash-pan.
- Long lasting burning cycle : When the appliance is loaded with à 14 kg of dry wood (primary air inlet closed, rep. B, fig. 5, page 7) with a 6 Pa draught, it runs for 7 hours.

## 1.4 Operating principle

The “ARDENNES” is designed for operating only with the door closed. Heat is mainly diffused by radiation, through the window and body of the appliance.



*Figure 1 - Dimensions in mm*

## 2 Installation instructions

### 2.1 Warning to the user

All the local and national regulations, and in particular those relating to national and European standards, must be observed when installing the appliance.

An incorrectly installed heating appliance can cause serious accidents (chimney fires, burning of plastic insulation materials, in partition walls, etc.).

The insulation of both the appliance and the exhaust gas pipe has to be reinforced and done according to the Standards and the Building Regulations for safety reasons. The installation must be carried out according to the Standards and the Building Regulations.

Failure to respect the mounting instructions leads to engage the responsibility of the one doing the installation.

The manufacturer’s responsibility shall be limited to the supply of the appliance.

### 2.2 Location of the unit

**Ventilation :** For satisfactory appliance operation with a **natural draught**, check that sufficient air for combustion is available in the room. In houses equipped with one VMC (controlled mechanical ventilation), this one aspire and renew the ambient air; in this case, the residence is under slight low pressure and a **non-sealable** external air intake must be installed in addition to the chimney itself, at least 50cm<sup>2</sup> in section.

**Position of the unit :** For new installations, select a central position within the house, to provide a good heat distribution around the building. The heat distribution towards the other rooms will be made through the communicating doors. These rooms must be at low pressure or fitted with **non-adjustable air registers**, placed so that they cannot be obstructed, to encourage circulation of the hot air.

**Floor and walls :** Make sure there are not combustible or covered with combustible material. Otherwise it must necessary to install a non-combustible protection.

There must be a clearance of at least 150 mm at each side of the appliance and at the back of the appliance from a non-combustible wall. This distance must be extended to a minimum clearance of 400 mm from any combustible materials. This measurement may be reduced to a minimum gap of 50 mm when the non-combustible wall is at least 200 mm thick.

There should ideally be a minimum gap of 300 mm at the right hand side of the stove, this will ensure the best possible access

to the loading door. When using a single wall flue pipe, there must be a clearance (A) of at least three times its diameter (B) from any combustible materials. If the appliance has to be located in an opening, this distance must be extended to a minimum clearance (A) of 450 mm from the pipe or the stove body to any combustible materials.

**Hearth :** The appliance must stand on a fireproof hearth.

It is possible to provide a hearth made of non combustible board/sheet material or tiles at least 12 mm thick (C).

Constructional hearths should be constructed of solid non combustible material at least 125 mm thick (including the thickness of any non combustible floor under the hearth).

The hearth must protrude at least 300 mm in front of the stove and 150 mm each side.

Hearths are provided to prevent combustion appliances setting fire to the building fabric and furnishings and to limit the risk of people being accidentally burnt.

Therefore, they should be separated from adjacent combustible materials and should be satisfactorily delineated from surrounding floor finishes (carpets etc.) as follows.

Combustible material should not be placed under a constructional hearth for a solid fuel appliance within a vertical distance of 250 mm from the upper surface of the hearth, unless there is an airspace of at least 50 mm between the combustible material and the underside of the hearth.

Where a superimposed hearth has been placed onto a constructional hearth, combustible material placed on or beside the constructional hearth should not extend under the superimposed hearth by more than 25 mm or closer to the appliance than 150 mm.

Ensure that the hearth (superimposed or constructional) is suitably delineated to discourage combustible floor finishes from being laid too close to the appliance, by marking the edges or providing a change of level.

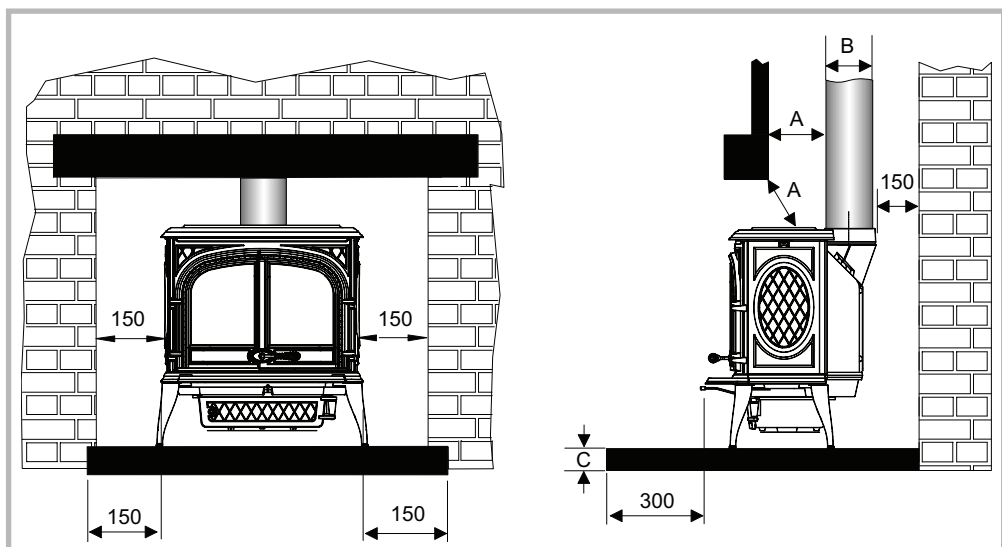


Figure 2 - Minimum clearances

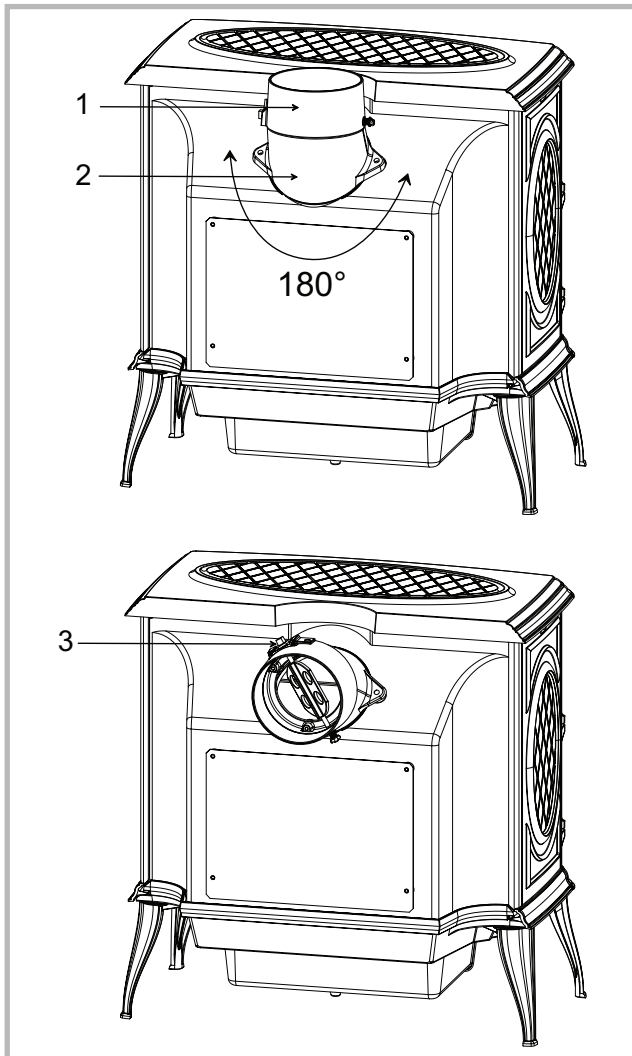


Figure 4 - Mounting the flue collar

Position the appliance on the hearth such that combustible material cannot be laid closer to the base of the appliance than :

(a) At the front, 300 mm if the appliance is an open fire or stove which can, when opened, be operated as an open fire, or 225 mm in any other case ;

(b) At the back and sides, 150 mm or in accordance with the recommendations below which relate to distance from hearth to walls. Please refer to section J of the Building regulations

When using a single wall flue pipe, there must be a clearance (A) of at least 450 mm from any combustible materials (timber mantel, girder).

### 2.3 Chimney

**Existing flue** :The chimney must comply with Current Building Regulations. If in doubt, consult your Dealer or local Building Inspector.

- The flue must be in good condition and must provide sufficient draught (refer to technical details p. 3).
- The flue must be suitable for the installation of fuel burning appliances, otherwise it must necessary to install a tubing.
- The flue must be **clean**. It should be swept to remove soot and dislodge tar deposits.
- The flue must be well insulated. If the flue inner wall surfaces are cold, a good thermal draw is impossible

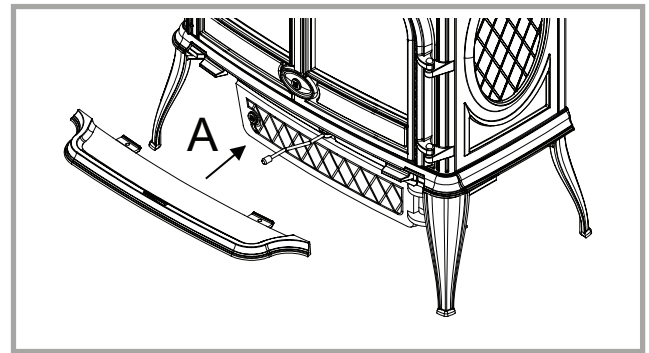


Figure 3 - Mounting the tray

causing condensation problems (tar formation etc) to occur.

- The flue must be watertight.
- The flue must not be shared with other appliances.
- The chimney must have a constant cross section.
- When the cross-section of the chimney is too large, it has difficulties in obtaining a good draught.
- The chimney must be at least 4.5 m (15 ft) high and be at 40 cm above the ridge of the roof and 8 meters away from any construction.
- In case of a flat roof or when the roof gradient is lower than 15°, the stack must be 1,2 m (4 feet) high at least.
- The capping must not restrain the draught.
- If the chimney has any down draught tendency, due to its position in relation to nearby obstacles, then an anti-down draught cowl must be installed on the chimney or the chimney height must be increased.
- If the chimney draught is excessive or irregular, a draught stabilizer (barometric damper) must be installed to the connector pipe it must be **visible and accessible**.

**Chimney to be built / New flue** : The chimney must comply with Current Building Regulations. If in doubt, consult your Dealer or local Building Inspector.

- The appliance must not support the weight of the flue.
- It must be distant from any combustible material (walls, cross members)
- It must permit an easy sweeping.

### 2.4 Mounting the flue collar

The stove is supplied with a connection flue spigot with an inner diameter of 125 mm and an outer diameter of 139 mm.

#### Figure 4

All you have to do is removing adaptor (# 2) from the spigot (# 1); unscrewing the adaptor and turning it at 180°. Replace the spigot onto the adaptor in leaving an easy access for the exhaust valve control (# 3). Ensure that the seal is fitted correctly.

### 2.5 Mounting the tray

To avoid damage during transport, the tray has been stored behind the main door (figure 3).

Centre the tray on tab “A” and lower into place.

## 2.6 Chimney connector

- The connection to flue must be carried out according to local building regulations.
- The appliance must be installed as close as possible to the chimney.
- The connector pipe must be approved for installation with combustion products (either 24 ga. Black painted or blued steel or 316 grade 20 ga. Stainless steel or 1 mm vitreous enamelled steel).
- Pipe diameter must not be less than the appliance spigot diameter. If there is no other solution, the reduction can not be more than one diameter lower than the flue spigot and be situated as distant as possible from the flue connection of the appliance.
- The connection can be either vertical or horizontal. For horizontal connections, avoid right angle bends.
- The join between the connection pipe and the stovepipe, and the flue, must be leak tight.
- For the premises equipped with a mechanical controlled ventilation, the airtightness has to prevent the exhauster drawing out the smokes from the exhaust gas pipe.
- The connection pipe and any draught stabiliser must have access for cleaning.

## 2.7 Pre-utilisation check

- Check that the seals of the smoke-line are in good condition. Check that the door closes correctly. Check that the glass is not damaged. Check that the smoke passages are not obstructed by packaging or removable parts. Check that all removable parts are correctly installed.

**Note** : if it acts of a ceramics braid, it is consumable and thus brought to be changed by the user.

## 2.8 Maintenance of the Chimney

**Very important** : In order to avoid any incident (chimney fire, etc...), maintenance tasks must be carried out regularly. If the appliance is regularly used, the chimney should be swept several times per year, together with the stovepipe connection section.

**If the chimney catches fire, you must cut off the flue draught, close the doors and windows, hatches and keys, remove the embers from the stove, stop up the connection hole with wet cloths and call the Fire Brigade.**

**DO NOT OPEN THE DOOR OF THE APPLIANCE (OR AIR INLET) UNDER ANY CIRCUMSTANCES**

Chimney condition should be checked at least once per year by a professional engineer.

### 3 Instructions for user

The manufacturer will not be responsible for damages on parts of the appliance due to the use of prohibited fuel or due to an alteration of the appliance or its installation. **Only use replacement parts supplied by the manufacturer.**

**All the local and national regulations, and in particular those relating to national and European standards, must be observed when using the appliance.**

Don't run the stove in mild weather with coal ! Under certain circumstances (e.g. fog and repeated thaw) the chimney will not draw sufficiently well and thus be at the origin of asphyxia.

#### 3.1 Fuel

**This appliance is not an incinerator.**

Use hard wood logs, which have been cut for at least two years and stored, under a ventilated shelter.

Use hardwood that have a higher calorific value per metre (Yoke-elm, oak, ash, maple, birch, elm, beech, etc.). Large logs must be split and cut to an useful length (Humidity < 20 %), before being stored in a sheltered and ventilated place.

• **Recommended fuel**

Firewood : **Hornbeam**

• **Suitable fuel**

Firewood : Oak, ash, maple, birch, elm, beech, etc.

• **Prohibited fuel**

**Any form of coal and fuel oil !**

“Green wood”. Green or damp wood reduces the appliance efficiency and soils the glass, the internal walls and the flue (soot, tar, etc.).

“Recovered wood”. Railway sleepers, telegraph poles, offcuts of plywood or chip board, pallets, etc. Burning treated wood quickly clogs the flue ways (soot, tar, etc...), pollutes the environment (pollution and smell, etc.) and cause the fire to burn too quickly and overheat.

☞ **Green wood and recovered wood can cause a chimney fire.**

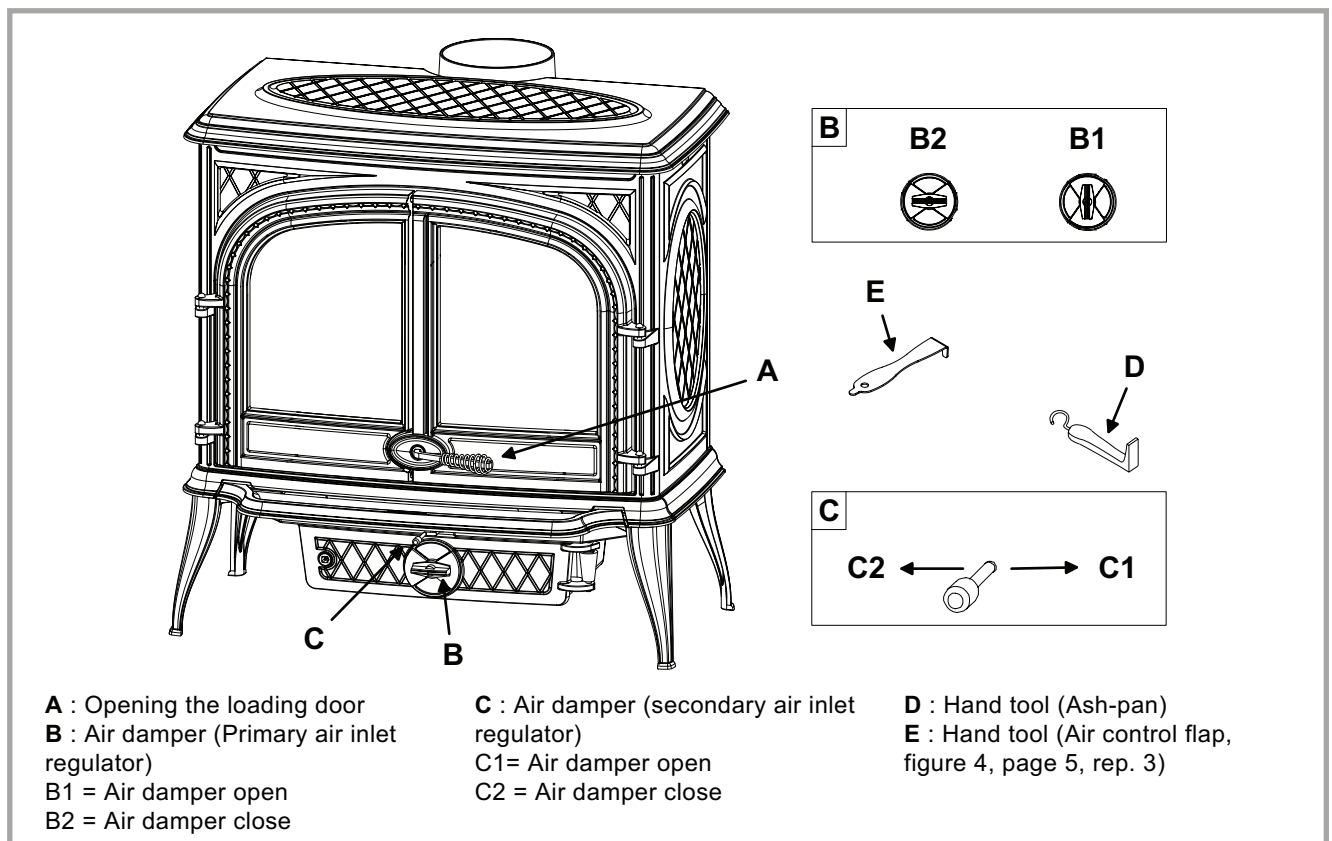
#### 3.2 Lighting

**Figure 5**

- Open the primary air regulation flap (rep. B1) and a secondary air inlet (rep. C1).
- Open the main doors.
- Place on the grate on scrunched up paper, some brushwood and some hardwood of small diameter,
- Set light to the paper and close the glass doors.
- When the wood is well lit partially, load the appliance without excess and close the main doors (rep. A).

At the first lighting, the fire must be progressively increased to allow the various parts to expand normally and to dry up.

When the fire is lit for the first time, the appliance may give off fumes from the new paint. This is normal but ensure the room is well ventilated during the first few hours operation.



*Figure 5 - Operating devices*

### 3.3 Operating procedure

**The appliance must function all door properly closed.** The burning rate can be adjusted by the primary air control flap (rep. B) and the secondary air control flap (rep. C).

Experience will show you which settings are best for your situation.

The airwash system works with the secondary air control flap. When the air control flap is full open the system works at its strongest efficiency.

The more closed down the air control flap is, the less effective the airwash will be ( when shut down completely, the airwash system can not function )

**• Loading the fuel :**

- The door should be opened slowly, avoiding a sudden rush of intake air, so that smoke does not escape into the room.
- The minimum reloading interval for nominal heat output is 45 mn.
- The logs must be placed on the glowing embers.
- For a briskly burning fire, there should always be at least two logs in the fire. The fire will burn better if there are several logs.
- For a slower burning fire (for example, at night), select larger logs.
- After loading the firebox, close the main doors (rep. A, page 7).

Nominal Heat Output :

- Primary air control flap (rep. B) close.
- Secondary air control flap (rep. C) open.

### 3.4 De-ashing

- Ashes must be removed regularly.
- Ashes must never be allowed to pile up to the grate. The grate would not be cool down and could rapidly be damaged.
- Empty the ashes when the appliance is cold.
- Pick up the ash pan using a tool.
- Empty the ashes carefully with regard to the live embers.

### 3.5 Maintenance of the Chimney

**VERY IMPORTANT :** In order to avoid incidents (Chimney fires etc...), the chimney must be maintained regularly.

**If burning wood, the chimney must be swept at least twice a year. For smokeless fuel, at least once a year.**

Ensure the flue pipe connection is also cleaned.

**In case of a chimney fire, you must act to cut off the air supply to the chimney. This can be done by shutting the door of the appliance and closing down all air slides on the appliance. Ensure the fire brigade have been contacted.**

**DO NOT OPEN THE DOOR OF THE APPLIANCE (OR AIR INLET) UNDER ANY CIRCUMSTANCES**

We recommend that your chimney is examined for soundness every year.

### 3.6 Maintenance of the stove

- The appliance must be cleaned regularly , together with the connecting pipe and the flue pipe.
- Open the door and remove all deposits in the firebox and clean the removable fire grate.
- Cleaning of the glass door can be done with a soft cloth dampened with water and vinegar or potassium ; this must be done when the appliance is cold ; then rinse with clear water. Do not use abrasive cleaners.
- The “vitroc ceramic” glass will resists to temperatures of up to 750 C. Should the glass break due to misuse, it must be replaced by the manufacturers own product.
- Check that there are no obstructions before relighting after a long period of disuse.
- The appliance must not be used with a flue serving several appliances.
- To maintain the grates ventilation free of any obstruction,  
For enamelled finishes, the stove body can be cleaned using a soft cloth either dry, or slightly damp with a very mild detergent.

**NEVER CLEAN ENAMEL SURFACES WHILST THE STOVE IS HOT.**

The cast iron body panels of non-enamelled stoves can be cleaned with a proprietary stove cleaner or re-sprayed / touched up using a stove paint. These products are available from your Franco Belge Dealer.

### 3.7 Safety advice

This appliance produces heat and may cause severe burns if touched.

The stove may still be **HOT** even when the fire has burnt out.

**KEEP CHILDREN AWAY.**



### 3.8 Trouble shooting



: This sign means that you should ask for a qualified engineer to do the work.

| <i>Situation</i>                               | <b>Probable causes</b>   | <b>Corrective action</b>   |
|--|--|--|
| <i>Fire difficult to start. Fire goes out.</i> | <b>Wood green... or too damp</b>   | - Use hard wood logs, which have been cut for at least two years and stored, under a ventilated shelter.   |
|  | <b>Logs are too big.</b>   | - To light the fire, use small, very dry twigs. To maintain the fire, use split logs.  |
|  | <b>Poor quality wood.</b>  | - Use hardwood that have a higher calorific value per cu metre (Yoke-elm, oak, ash, maple, birch, elm, beech, etc.)  |
|  | <b>Not enough primary air</b>  | - Open air control.<br>- Open the outside fresh air inlet grid.  |
|  | <b>Insufficient draught.</b> <input checked="" type="checkbox"/>                         | - Check that the flue is not obstructed, sweep it if necessary.<br>- Seek advice from a chimney specialist.  |
| <i>Fire burns too quickly.</i>                 | <b>Too much draught.</b>   | - Ensure that the lighting flap is closed.<br>- Partially close the air control.   |
|  | <b>Excessive draught.</b> <input checked="" type="checkbox"/>                            | - Install a draught stabiliser to the connector pipe.  |
|  | <b>Poor quality wood.</b>  | - Do not continuously burn small wood, sticks, bundles, carpentry offcuts (plywood, pallets), etc.   |
| <i>Smokes when lighting up.</i>                | <b>Flue duct is cold.</b>  | - Burn paper and kindling wood to increase heat.   |
|  | <b>Room is in decompression (negative pressure).</b>                                     | - In houses equipped with mechanical ventilation, partly open a window until the fire is well established.   |
| <i>Smokes while burning.</i>                   | <b>Insufficient draught.</b> <input checked="" type="checkbox"/>                         | - Seek advice from a chimney specialist.<br>- Check that the flue is not obstructed, sweep it if necessary,  |
|  | <b>Down draught.</b> <input checked="" type="checkbox"/>                                 | - Install an anti-down draught cowl.   |
|  | <b>Room is in decompression (negative pressure).</b> <input checked="" type="checkbox"/> | - In houses equipped with mechanical ventilation, an outside air intake must be installed for the chimney.   |
| <i>Low heat output.</i>                        | <b>Poor quality wood.</b>  | - Use the recommended fuel.  |
|  | <b>Poor mixing of the convection air.</b>  | - Check the air flow system (air inlet, piping, air outlet).<br>- Check that the next rooms are equipped with ventilation grids to help out the hot air circulation. |

# 4 Spare parts

When ordering spare parts, specify **the stove type** and **serial number**, including the **colour index** (on the guarantee or identification plate), **the name** of the part and **the part number**.

**Example :** Wood stove “ARDENNES”, model **134 15 02**, the colour index **Y**, top plate **352126 EF**

**Y** = 134 15 02 Y      **B** = 134 15 02 B      **E** = 134 15 02 E      **N** = 134 15 02 N  
**L** = 134 15 02 L      **P** = 134 15 02 P      **C** = 134 15 02 C      **Q** = 134 15 02 Q

| N° | Code   | Description . . . . .      | Type . . . . . | Y | L | B | P | E | C | N | Q | Qty    |
|----|--------|----------------------------|----------------|---|---|---|---|---|---|---|---|--------|
| 1  | 100921 | Bolt . . . . .             |                | Y | L | B | P | E | C | N | Q | 01     |
| 2  | 100939 | Axle . . . . .             |                | Y | L | B | P | E | C | N | Q | 02     |
| 3  | 101057 | Axle . . . . .             |                | Y | L | B | P | E | C | N | Q | 01     |
| 4  | 101062 | Axle . . . . .             |                | Y | L | B | P | E | C | N | Q | 01     |
| 5  | 101063 | Axle . . . . .             |                | Y | L | B | P | E | C | N | Q | 01     |
| 6  | 105006 | Gasket . . . . .           |                | Y | L | B | P | E | C | N | Q | 2,26 m |
| 7  | 110402 | Hinge pin . . . . .        | 6x30           | Y | L | B | P | E | C | N | Q | 04     |
| 8  | 134705 | Pin . . . . .              | 6x45           | Y | L | B | P | E | C | N | Q | 01     |
| 9  | 134711 | Pin . . . . .              | 6x30           | Y | L | B | P | E | C | N | Q | 01     |
| 10 | 142316 | Gasket . . . . .           | 7x3            | Y | L | B | P | E | C | N | Q | 1 m    |
| 11 | 142881 | Gasket . . . . .           |                | Y | L | B | P | E | C | N | Q | 08     |
| 12 | 158589 | Handle . . . . .           |                | Y | L | B | P | E | C | N | Q | 01     |
| 13 | 161025 | Touch-up paint . . . . .   | (L)            |   | L |   |   |   |   |   |   | 01     |
| 13 | 161029 | Touch-up paint . . . . .   | (E)            |   |   |   |   | E |   |   |   | 01     |
| 13 | 161032 | Touch-up paint . . . . .   | (C)            |   |   |   |   |   | C |   |   | 01     |
| 13 | 161039 | Touch-up paint . . . . .   | (P)            |   |   |   | P |   |   |   |   | 01     |
| 13 | 161047 | Touch-up paint . . . . .   |                |   |   | B |   |   |   |   |   | 01     |
| 14 | 166003 | Spring . . . . .           | 11x15          | Y | L | B | P | E | C | N | Q | 01     |
| 15 | 179626 | Regulator shaft . . . . .  |                | Y | L | B | P | E | C | N | Q | 01     |
| 16 | 181625 | Ceramic rope . . . . .     | Ø 7            | Y | L | B | P | E | C | N | Q | 3,57 m |
| 17 | 181632 | Gasket . . . . .           | Ø 6            | Y | L | B | P | E | C | N | Q | 2,26 m |
| 18 | 181633 | Gasket . . . . .           | Ø 10           | Y | L | B | P | E | C | N | Q | 1,50 m |
| 19 | 181634 | Gasket . . . . .           | Ø 15           | Y | L | B | P | E | C | N | Q | 1,85 m |
| 20 | 188851 | Ceramic glass . . . . .    |                | Y | L | B | P | E | C | N | Q | 02     |
| 21 | 189825 | Screw . . . . .            | M5x6           | Y | L | B | P | E | C | N | Q | 03     |
| 22 | 207315 | Back panel . . . . .       |                | Y | L | B | P | E | C | N | Q | 01     |
| 23 | 222573 | Flue baffle . . . . .      |                | Y | L | B | P | E | C | N | Q | 01     |
| 24 | 236134 | Sealing plate . . . . .    |                | Y | L | B | P | E | C | N | Q | 01     |
| 25 | 259015 | Fixing plate . . . . .     |                | Y | L | B | P | E | C | N | Q | 04     |
| 26 | 259037 | Fixing plate . . . . .     |                | Y | L | B | P | E | C | N | Q | 02     |
| 27 | 259042 | Fixing plate . . . . .     |                | Y | L | B | P | E | C | N | Q | 04     |
| 28 | 269502 | Deflector . . . . .        |                | Y | L | B | P | E | C | N | Q | 01     |
| 29 | 270413 | Air control flap . . . . . |                | Y | L | B | P | E | C | N | Q | 01     |
| 30 | 300132 | 77 Leg . . . . .           |                |   | L |   |   |   |   |   |   | 04     |
| 30 | 300132 | EF Leg . . . . .           |                | Y |   |   |   |   |   |   |   | 04     |
| 30 | 300132 | EP Leg . . . . .           |                |   |   |   |   |   |   | N |   | 04     |
| 30 | 300132 | MK Leg . . . . .           |                |   |   |   |   |   | C |   |   | 04     |
| 30 | 300132 | RJ Leg . . . . .           |                |   |   | B |   |   |   |   |   | 04     |
| 30 | 300132 | RP Leg . . . . .           |                |   |   |   |   | E |   |   |   | 04     |
| 30 | 300132 | ER Leg . . . . .           |                |   |   |   |   |   |   |   | Q | 04     |
| 30 | 300134 | RH Leg . . . . .           |                |   |   |   | P |   |   |   |   | 04     |
| 31 | 300428 | EF Base . . . . .          |                | Y | L | B | P | E | C | N | Q | 01     |
| 32 | 301178 | 77 Ash pan door . . . . .  |                |   | L |   |   |   |   |   |   | 01     |
| 32 | 301178 | EF Ash pan door . . . . .  |                | Y |   |   |   |   |   |   |   | 01     |
| 32 | 301178 | EP Ash pan door . . . . .  |                |   |   |   |   |   |   | N |   | 01     |
| 32 | 301178 | MK Ash pan door . . . . .  |                |   |   |   |   |   | C |   |   | 01     |
| 32 | 301178 | RH Ash pan door . . . . .  |                |   |   |   | P |   |   |   |   | 01     |
| 32 | 301178 | RJ Ash pan door . . . . .  |                |   |   | B |   |   |   |   |   | 01     |
| 32 | 301178 | RP Ash pan door . . . . .  |                |   |   |   |   | E |   |   |   | 01     |
| 32 | 301178 | ER Ash pan door . . . . .  |                |   |   |   |   |   |   |   | Q | 01     |
| 33 | 301742 | 77 Air damper . . . . .    |                |   | L |   |   |   |   |   |   | 01     |
| 33 | 301742 | EF Air damper . . . . .    |                | Y |   |   |   |   |   |   |   | 01     |
| 33 | 301742 | EP Air damper . . . . .    |                |   |   |   |   |   |   | N |   | 01     |
| 33 | 301742 | MK Air damper . . . . .    |                |   |   |   |   |   | C |   |   | 01     |
| 33 | 301742 | RH Air damper . . . . .    |                |   |   |   | P |   |   |   |   | 01     |
| 33 | 301742 | RJ Air damper . . . . .    |                |   |   | B |   |   |   |   |   | 01     |
| 33 | 301742 | RP Air damper . . . . .    |                |   |   |   |   | E |   |   |   | 01     |

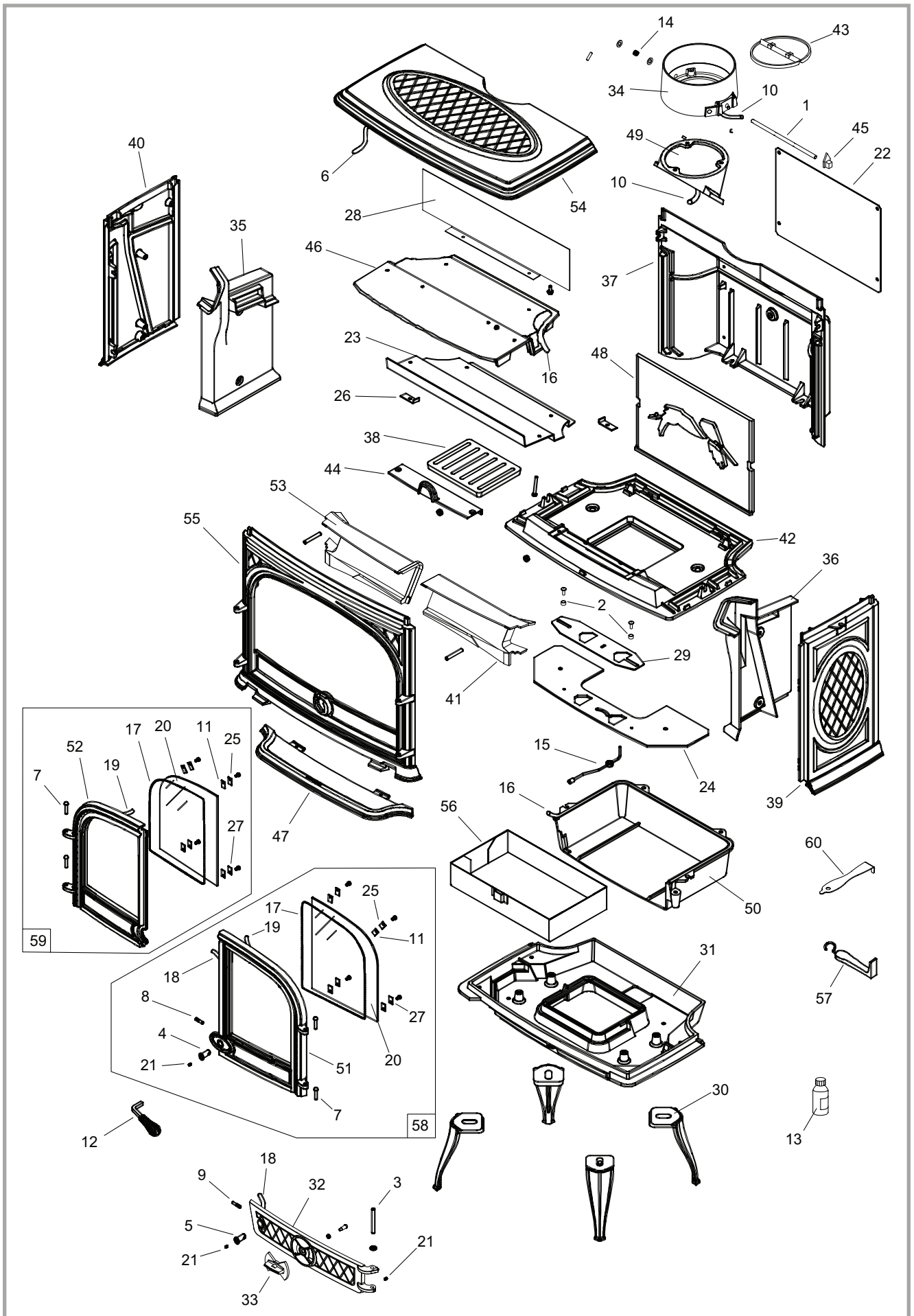


Figure 6 - Spare parts view

Y = 134 15 02 Y  
L = 134 15 02 L

B = 134 15 02 B  
P = 134 15 02 P

E = 134 15 02 E  
C = 134 15 02 C

N = 134 15 02 N  
Q = 134 15 02 Q

| N° | Code   | Description           | Type | Y | L | B | P | E | C | N | Q | Qty |
|----|--------|-----------------------|------|---|---|---|---|---|---|---|---|-----|
| 33 | 301742 | ER Air damper         |      |   |   |   |   |   |   |   | Q | 01  |
| 34 | 303804 | EF Flue collar        |      | Y | L | B | P | E | C | N | Q | 01  |
| 35 | 305003 | Wall                  |      | Y | L | B | P | E | C | N | Q | 01  |
| 36 | 305216 | Wall                  |      | Y | L | B | P | E | C | N | Q | 01  |
| 37 | 306204 | Back wall             |      | Y | L | B | P | E | C | N | Q | 01  |
| 38 | 309233 | Grate                 |      | Y | L | B | P | E | C | N | Q | 01  |
| 39 | 310730 | 77 R. side panel      |      |   | L |   |   |   |   |   |   | 01  |
| 39 | 310730 | EF R. side panel      |      | Y |   |   |   |   |   |   |   | 01  |
| 39 | 310730 | EP R. side panel      |      |   |   |   |   |   |   | N |   | 01  |
| 39 | 310730 | MK R. side panel      |      |   |   |   |   |   | C |   |   | 01  |
| 39 | 310730 | RH R. side panel      |      |   |   |   | P |   |   |   |   | 01  |
| 39 | 310730 | RJ R. side panel      |      |   |   | B |   |   |   |   |   | 01  |
| 39 | 310730 | RP R. side panel      |      |   |   |   |   | E |   |   |   | 01  |
| 39 | 310730 | ER R. side panel      |      |   |   |   |   |   |   |   | Q | 01  |
| 40 | 310827 | 77 L. side panel      |      |   | L |   |   |   |   |   |   | 01  |
| 40 | 310827 | EF L. side panel      |      | Y |   |   |   |   |   |   |   | 01  |
| 40 | 310827 | EP L. side panel      |      |   |   |   |   |   |   | N |   | 01  |
| 40 | 310827 | MK L. side panel      |      |   |   |   |   |   | C |   |   | 01  |
| 40 | 310827 | RH L. side panel      |      |   |   |   | P |   |   |   |   | 01  |
| 40 | 310827 | RJ L. side panel      |      |   |   | B |   |   |   |   |   | 01  |
| 40 | 310827 | RP L. side panel      |      |   |   |   |   | E |   |   |   | 01  |
| 40 | 310827 | ER L. side panel      |      |   |   |   |   |   |   |   | Q | 01  |
| 41 | 315604 | Air duct              |      | Y | L | B | P | E | C | N | Q | 01  |
| 42 | 319727 | Grate support         |      | Y | L | B | P | E | C | N | Q | 01  |
| 43 | 320631 | EF Sliding door       |      | Y | L | B | P | E | C | N | Q | 01  |
| 44 | 322717 | Supplementary support |      | Y | L | B | P | E | C | N | Q | 01  |
| 45 | 325200 | EF Knob               |      | Y | L | B | P | E | C | N | Q | 01  |
| 46 | 326604 | Flue baffle           |      | Y | L | B | P | E | C | N | Q | 01  |
| 47 | 327908 | 77 Ash pan guide      |      |   | L |   |   |   |   |   |   | 01  |
| 47 | 327908 | EF Ash pan guide      |      | Y |   |   |   |   |   |   |   | 01  |
| 47 | 327908 | EP Ash pan guide      |      |   |   |   |   |   |   | N |   | 01  |
| 47 | 327908 | MK Ash pan guide      |      |   |   |   |   |   | C |   |   | 01  |
| 47 | 327908 | RH Ash pan guide      |      |   |   |   | P |   |   |   |   | 01  |
| 47 | 327908 | RJ Ash pan guide      |      |   |   | B |   |   |   |   |   | 01  |
| 47 | 327908 | RP Ash pan guide      |      |   |   |   |   | E |   |   |   | 01  |
| 47 | 327908 | ER Ash pan guide      |      |   |   |   |   |   |   |   | Q | 01  |
| 48 | 330012 | EF Hearth plate       |      | Y | L | B | P | E | C | N | Q | 01  |
| 49 | 331001 | EF Adapter            |      | Y | L | B | P | E | C | N | Q | 01  |
| 50 | 331700 | EF Support            |      | Y | L | B | P | E | C | N | Q | 01  |
| 51 | 331803 | 77 Main door          |      |   | L |   |   |   |   |   |   | 01  |
| 51 | 331803 | EF Main door          |      | Y |   |   |   |   |   |   |   | 01  |
| 51 | 331803 | EP Main door          |      |   |   |   |   |   |   | N |   | 01  |
| 51 | 331803 | MK Main door          |      |   |   |   |   |   | C |   |   | 01  |
| 51 | 331803 | RH Main door          |      |   |   |   | P |   |   |   |   | 01  |
| 51 | 331803 | RJ Main door          |      |   |   | B |   |   |   |   |   | 01  |
| 51 | 331803 | RP Main door          |      |   |   |   |   | E |   |   |   | 01  |
| 51 | 331803 | ER Main door          |      |   |   |   |   |   |   |   | Q | 01  |
| 52 | 331903 | 77 Main door          |      |   | L |   |   |   |   |   |   | 01  |
| 52 | 331903 | EF Main door          |      | Y |   |   |   |   |   |   |   | 01  |
| 52 | 331903 | EP Main door          |      |   |   |   |   |   |   | N |   | 01  |
| 52 | 331903 | MK Main door          |      |   |   |   |   |   | C |   |   | 01  |
| 52 | 331903 | RH Main door          |      |   |   |   | P |   |   |   |   | 01  |
| 52 | 331903 | RJ Main door          |      |   |   | B |   |   |   |   |   | 01  |
| 52 | 331903 | RP Main door          |      |   |   |   |   | E |   |   |   | 01  |
| 52 | 331903 | ER Main door          |      |   |   |   |   |   |   |   | Q | 01  |
| 53 | 332002 | Air duct              |      | Y | L | B | P | E | C | N | Q | 01  |
| 54 | 352126 | 77 Top plate          |      |   | L |   |   |   |   |   |   | 01  |
| 54 | 352126 | EF Top plate          |      | Y |   |   |   |   |   |   |   | 01  |
| 54 | 352126 | EP Top plate          |      |   |   |   |   |   |   | N |   | 01  |
| 54 | 352126 | MK Top plate          |      |   |   |   |   |   | C |   |   | 01  |
| 54 | 352126 | RH Top plate          |      |   |   |   | P |   |   |   |   | 01  |
| 54 | 352126 | RJ Top plate          |      |   |   | B |   |   |   |   |   | 01  |
| 54 | 352126 | RP Top plate          |      |   |   |   |   | E |   |   |   | 01  |
| 54 | 352126 | ER Top plate          |      |   |   |   |   |   |   |   | Q | 01  |
| 55 | 359810 | 77 Front plate        |      |   | L |   |   |   |   |   |   | 01  |
| 55 | 359810 | EF Front plate        |      | Y |   |   |   |   |   |   |   | 01  |





## Guarantee certificate

### Legal guarantee

The specifications, dimensions and information shown on our documents are provided for information purposes only and under no circumstances are binding upon the vendor.

With the aim of constantly improving our equipment, all modifications considered as necessary by our departments may be made without notice.

The provisions of the present guarantee certificate are not excluding or limiting the owner of the equipment's rights, concerning the legal guarantee regarding faults or hidden vices which applies in all circumstances, in the conditions detailed in articles 1641 and following of the civil code, and in the country in which the equipment was purchased.

### Contractual guarantee

Our equipment is guaranteed against faults and hidden vices subject to the following conditions:

- 1) Installation and adjustment of the device by a professional installer.
- 2) Observance of the instructions provided in our technical documents and our installation/adjustment instructions.
- 3) The installation, use and maintenance of the device carried out in conformity with the applicable standards and legislation, and with the indications provided in the technical instructions accompanying the device.

This guarantee covers the replacement, in our factory, of parts recognised as being defective from the outset by

our "Guarantee Inspection" Department. Carriage and labour is at the user's cost. Moreover, if the repair or replacement of parts covered by the guarantee is found to be too costly vis-à-vis the price of the appliance, the decision to replace or repair the appliance will be taken by the vendor.

Our guarantee is for 2 (two) years for all appliances, with the exception of closed combustion fireplace and inserts for which our guarantee is 5 (five) years excluding the following:

- 1) Indicator lights, fuses, electrical elements and fans.
- 2) Parts subject to wear or in contact with high temperatures namely: soles and burner grills, bottom plates baffles, ash pans, paintwork and surface treatments for decorative parts. Also excluded from this guarantee are seals and windows.
- 3) Any damage which may result from the use of the appliance with a fuel other than that stipulated in our instructions.
- 4) Damage occurring to parts caused by elements outside the appliance (down draught, storm damage, damp, abnormal pressure or vacuum, heat shocks, etc.).
- 5) Damage to electrical parts caused by plugging in and using the appliance on a mains system, the voltage of which (measured at the entrance to the appliance) is 10% above or below the nominal voltage of 220 V.

### Exclusion of liability

In the case of a product manufactured at the client's request, under no circumstances may we, as a subcontractor, be considered liable vis-a-vis the client or third parties for defects arising from the installation or a design fault with the item in question.

Name and address of the installer : \_\_\_\_\_

Telephone : \_\_\_\_\_

Name and address of the customer : \_\_\_\_\_

Date of installation : \_\_\_\_ / \_\_\_\_ / \_\_\_\_

Model of the appliance :  134  15  02

Color :  Y  L  B  P  E  C  N  Q

Serial number : \_\_\_\_\_

• This certificate has to be completed and kept carefully.  
In case of claims, send a copy of this to :

**STAUB FONDERIE, BP 73, 59660 MERVILLE, FRANCE.**