



INSTALLATION & OPERATING INSTRUCTIONS

FREE STANDING STOVE

EXMOOR WOOD/ MULTI FUEL STOVE

**This stove should be installed by a HETAS
approved installer**

**If it is installed by any other person the
Building Control Service must be
Informed**



Welcome

To

Yeoman

We are pleased that you have chosen our Exmoor/Woodbury Stove which has been designed for modern living. Owning such a stove shows an appreciation for exceptional quality.

Please read your manual thoroughly, it's purpose is to familiarise you with your stove, and gives guidelines for it's installation, operation and maintenance. If after reading this manual you need further information, please do not hesitate to contact your supplier.

IMPORTANT NOTICE

If your stove is installed correctly, it will give you many years of excellent service for which it was designed. Please read these instructions carefully and ask a specialist to install your stove for you .

WARNING

All types of heating appliance can be potentially dangerous. Correct installation and operating procedures must be observed when fitting this stove. Some parts of your stove are protected on their surface with heat proof paint. When the stove is first used it is normal for it to emit some light smoke, with an unpleasant smell. Though unpleasant, this is non toxic and is produced only whilst the stove paint fully cures.

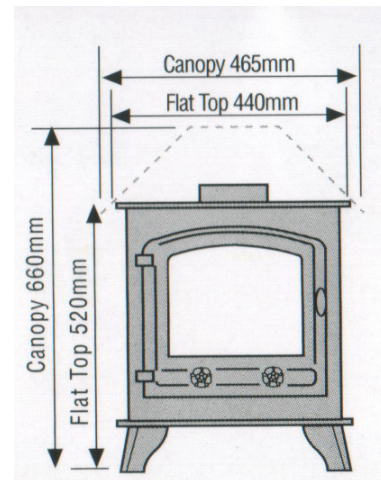
We recommend that you ventilate the room adequately until this disappears.

COMPONENT LIST
FOR EXMOOR F/T WOOD STOVE.

- 1 No. Body complete with door..
- 1 No. Baffle plate.
- 1 No. Log retaining bar.
- 1 No. Instruction leaflet.
- 1 No. Mitten
- 1 No. Cardboard box containing:-
 - 1 x 125mm Flue spigot.
 - 1 x 125mm Flue blanking plate
 - 2 x Baffle extension tubes,
 - 2 x Posi headed screws,
 - 2 x Allen headed screws,
 - 1 x Allen key,
 - 1 x Door tool.

TECHNICAL INFORMATION

EXMOOR



CONTENTS		PAGE No.
1	General Installation Instructions	5
	a) Siting the Appliance	5
	b) Chimney / Flue	5
	c) Chimney / Flue / Air Supply	6
	d) Tar Build Up	7
2	Upon Receiving the Stove	7
	a) Wood	
	b) Multifuel Kit	7
3	Initial Running In	8
4	Controls	8
5	Burning the Fire	8
6	The Importance of Dry Wood	9
7	Solid Fuels	9
8	De-Ashing	9
9	Over Night Burning	10
10	Care and Maintenance	10
11	Optional Extras	10
12	Spare Parts	10
13	Guarantee	11

1. GENERAL INSTALLATION INSTRUCTIONS

The way in which the Stove is installed will influence its safe, effective and efficient running.

Installation of your Yeoman Stove must comply with current building regulations. Yeoman Stoves therefore recommend that a **hetas** professional fitter be employed for this task. The installer will provide you with information about the safety limits of the installation and should fix a notice plate in a place where it can be readily seen, eg: next to the electricity meter. If however you decide to undertake the installation yourself and have any doubts or questions, please seek professional advice. You must inform the Building Control Service when the stove has been installed.

A. **Siting the Appliance**

When siting the appliance the following points should be taken into consideration.

The stove emits as much heat by radiation - heating walls, ceilings, furniture etc., as it does by convection which carries the heat to the furthest parts of the room.

The Yeoman Stove produces a soft, even radiating heat which allows you to enjoy maximum comfort in your home.

Yeoman Stoves are class 1 appliances and must be installed in accordance with local Building and HETAS Regulations, which include, among others, the following requirements :-

The Stove must be placed on a non combustible hearth, extended 225mm in front of the Stove and 150mm around the sides.

If the Stove is placed near a wall or partition, it must be placed at least 300mm from it, unless the wall is made of non-combustible material, and is at least 75mm thick in which case a 50mm gap is all that is required.

If the non-combustible wall is 200mm thick and extends 300mm above the top of the stove, it can be placed closer still, but we recommend a minimum gap of 40mm in any case.

The stove should not be inset into a wall, recess or fireplace, where the sides touch the stove.

Qualified advice should be sought in any case of doubt.

Register / Closure plates must be air tight and Yeoman Fire Cement (available from your local dealer), or heat proof tape should be used where necessary to effect a seal.

These plates may be cut and fitted using non-combustible material, i.e. Supalux Composition board or galvanised metal plate. Air leaks may spoil both the draught through the stove and provide a place where smoke and fumes could leak into the room.

Flue pipes must not project inside the chimney or through the register plate such as to cause a restriction to the flue gasses e.g. they should not come too close to the back of the chimney wall in cases where the front of the fireplace has been blanked off vertically.

B. **Chimney / Flue**

A basic knowledge of how chimneys work will help you to obtain the greatest benefit from your Yeoman stove. The function of a chimney is: -

- i) To safely remove gases and fumes from the stove.
- ii) To provide a sufficient amount of draught in the stove so that the fire is kept burning.

The position, size and height of the chimney effect the draught. Provision must be made for chimney cleaning.

The following must be considered: -

Flues / Chimneys kept inside the house are warmer, thus the draught is greater

The minimum size of the Flue / Chimney maintains a good draught is 125mm

The height of the chimney effects the draught; the higher the chimney the better.

Other factors that effect draught are:

Houses which are highly draught proofed without air vents cause insufficient amounts of draught for air to enter the stove. This can be corrected by improving room ventilation.

Trees and / or high buildings close to the house can cause a negative effect.

Wind speed. Generally, continuous strong winds increase the draught; but gusty winds decrease the draught.

Outside temperature. The colder the external temperature, the greater the draught.

Barometric pressure. On wet, humid or stormy days the draught will generally be weaker.

Strength of the fire. The hotter the fire, the stronger the draught.

Cracks in the chimney. Any holes or cracks in the flue joints, or another piece of equipment attached to the chimney, etc., can cause weakening of the draught and should be repaired as soon as possible.

Flue pipe which is less in cross sectional area than the flue outlet of the stove, must not be used.

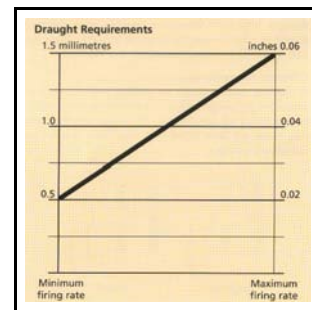
When the sections of the flue pipes fit into one another, the end facing upwards must be the end with the largest internal dimension, so that the downward facing end of the upper pipe fits into it. In this way ledges inside the flue pipe do not collect ash or other deposits, nor allow condensation to weep at the joints.

When not making use of an existing chimney, we strongly recommend the use of a fully insulated prefabricated chimney flue system for either internal or external installations. In the case of either a prefabricated system, or an existing chimney, professional advice as to suitability, should be sought.

c. The Chimney / Flue / Air Supply

The chimney or flue is a vital part of the stove's operation and it will determine whether or not the stove works well. All solid fuel appliances need a constant supply of air for their efficient operation. If the air supply is insufficient it will fail to carry all the smoke into the flue and the result will be smoke emission into the room. For air supply requirements see chart below. Chimney draught is necessary to induce enough air through the fuel bed for combustion as well as to clear the products of combustion into and up the flue and away to the atmosphere.

For the Exmoor to operate normally, it is recommended that the flue draught achieved is between the figures set in the chart below.



Permanent additional air supply requirement: -

Exmoor - none normally required

Once installed, it is important that the draught is measured, using a flue draught gauge. This gauge should be used to ensure that at the minimum firing rate, the draught should be approximately 0.5mm. This figure will vary linearly as the firing rate is increased until the maximum firing rate is achieved, at which point the gauge should show no more than 1.5mm. If the draught at the maximum firing rate exceeds 1.5mm then additional stabilisers must be fitted.

d. Tar build up

When wood is burned slowly, soot and organic gases are produced, which, when combined with atmospheric humidity form tar. Any accumulation of tar should be cleared immediately.

Since tar accumulation depends upon so many factors, it is difficult to predict the exact moment when the chimney needs to be cleaned. Visual inspection is the safest way to determine whether the chimney is clean, assuming that when the stove is first installed the chimney is clean and sound and that these instructions are followed. The chimney and flue pipe should be examined part way through the first burning season to establishing the regularity of sweeping required from then on, which should be not less than once a year.

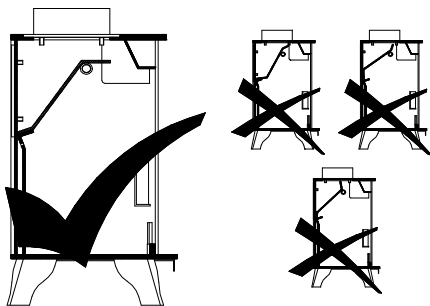
It is important that the chimney should be inspected regularly, and the stove should also be kept clean. Chemical cleaners should not be relied on to clean the chimney and should only be used on metal chimney systems when recommended by the manufacturers of the chimney themselves.

2. Upon Receiving the Stove

All stoves are despatched to the Dealers with some fittings loose in the bottom of the stove - Flue spigot, Blanking plate, door tool and Baffle extension tubes are in a cardboard box, the baffle is separate,

The Exmoor is supplied with a 125mm flue spigot and blanking plate. The flue spigot can be fitted in either top or rear flue position and must be secured using the nuts and washers supplied. The blanking plate must cover the flue hole not being used. A thin smear of fire cement must be used around the inside corner circumference of the flue spigot aperture before fitting and tightening down.

The baffle plate must be fitted in the top of the stove. Once fitted correctly extension tubes are fitted over the pins at either side to support the plate in its final position. The illustration indicates the correct position.



The Door catch on a Yeoman Stove works on a concentric spindle, this means that the catch is self-adjusting and is factory set for the optimum closing position with the knobs pointing vertically.

The knobs can be over-tightened, so **some caution must be exercised** and excessive force avoided.

Check that when firebricks are fitted, they are in the correct position.

Firebrick requirements are detailed below

	<u>Side</u>	<u>Rear</u>
Exmoor Woodburning	None	None
Exmoor Multifuel burning	None	2

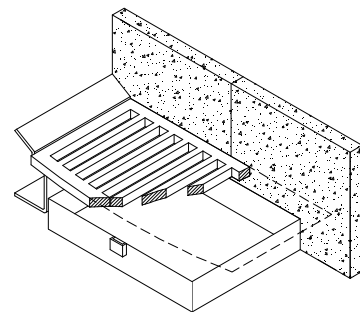
The cast front log retaining bar should be fitted behind the doors in the support guides, following the radius of the stove, with the “spikes” pointing upwards. **The log retaining bar must always be fitted.**

Multifuel stoves should contain these extra components: -

- Exmoor 2 Rear bricks,
- 2 Grate support plates,
- 1 Grate
- 1 Ashpan
- 1 Ashpan tool
- 1 Deepening Bar

Fitting the Multifuel kit

Place the bricks in the back of the stove, and position the grate support plates so that they hold the bricks to the back of the stove. The grate will then slot in and sit on these plates holding all items together in the correct location. The Ashpan slots under the grate and the Deepening Bar slots in the same location as the front bar with the Deepening Bar at the bottom and the Log Bar (with spikes) on top.



3. INITIAL RUNNING IN OF THE STOVE

Wood burns most effectively on a bed of ash on the base of the stove. Before initial firing of the stove, place a bed of ash - approximately 1 inch deep on the base of the stove.

We recommend that when the stove is installed the first few firings should not allow the stove to become excessively hot. The stove will take these few firings to fully cure the paint, so gradually increase the temperature of the fires. As the paint cures an unpleasant smell will be evident, **this is not harmful**, but we recommend leaving all windows and doors open to keep the room well ventilated. Children and pets are best kept away during this process.

Do not touch or wipe the stove during this process.

Load the fire with the starting fuel, i.e. paper, dry sticks, fire lighters in the mode chosen with either wood or coal products. Ensure that all air vents are left open, light the fire and close the doors so that they are just slightly ajar. Leaving the doors in this manner will prevent the rope from sticking to the paint during curing.

4. CONTROLS

The Exmoor stoves come with air wash and tertiary air as standard.

Air wash draws air in from the side of the stove which is pre-heated and is drawn down over the door glass to help keep the glass clear.

Tertiary air is a third air supply introduced at high level, causing unburned gases that would normally go up the flue to ignite and burn, making the stove more efficient and kinder to the atmosphere. We recommend that this control is left open for normal use, however, if you are burning overnight or for a very low fire, the control can be closed.

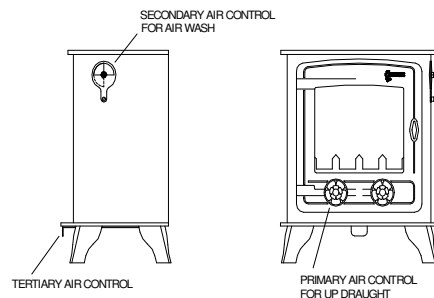
A multi-fuel kit is available as an optional extra and can be fitted retrospectively should you decide to burn coal products. Please contact your Yeoman dealer for further details.

LOCATION AND OPERATION OF AIR CONTROLS

Primary air – 2 standard operation rotary controls are located on the door of your stove.(clockwise to close – anti-clockwise to open).

Secondary air ‘ Air wash’ – control is positioned towards the top right hand side of the stove in the shape of a formed steel spinner. This lever operates up and down, fully up, the air wash effect is completely removed, and fully down it is operating to its greatest effect.

Tertiary air – This control is positioned underneath the stove in the form of a turned down steel plate. Pushing the plate to the rear of the stove eliminates the flow of tertiary air, whereas pulling the plate towards the front of the stove gradually increases the possible flow of air.



5. BURNING THE FIRE

Build the fire using kindling material as above. Open all air controls fully, light the fire at the front. When the flue is cold it may be best to leave the doors slightly ajar, for a few minutes **but do not leave the stove unattended.**

As the fire begins to take hold add more fuel. The stove will take approximately 10 - 15 minutes to get up to temperature. It will need this time to warm up the flue and make the draught perform correctly in the chimney.

Once the stove is burning fully at higher temperatures and there is a good amount of heat in the bed of the fire, the spinners on the front of the doors (primary air) can be shut (experience will tell you how much and at what times).

When the stove is up to working temperatures and the primary air is minimised, then the stove is starting to work efficiently.

If the stove is being used to burn solely wood then it will probably be sufficient to use the top air, (secondary air) only.

When the fire is being controlled by top air, secondary combustion will take place. This will be evident by the fire box being filled with flames and the gases in the fire box appearing to burn.

At this point the air wash is really having effect, you will note that the stove burns with clearer glass and any black deposits on the glass from previous slow burns will clear. As well as clearing the glass the air wash will also have the effect of not allowing dust and ash to be deposited

on the window, thus improving the view of the fire through the window.

If the stove is producing too much heat for your convenience, the best way to control the stove is by using less fuel, i.e. rather than fill the stove and burn with the top air controls half closed, use less fuel and leave top air vents slightly open. If the stove is burned slowly and starved of air, high combustion temperatures will not be achieved and clean efficient burning will not take place, this will be evident by the window blacking up.

High combustion temperatures are the key to clean efficient burning, so it is far more beneficial to refuel the fire by adding small loads at a time rather than smothering the fire with a full load which will remove all the heat of the fire. Adding cold wet wood is an instant recipe for low combustion efficiency, smoke emission, tar production and an immediate blackening of the window.

A good tip when re-fuelling the stove is to pull existing fuel to the front of the fire and add new fuel to the rear.

6. THE IMPORTANCE OF DRY WOOD

If the wood is wet and unseasoned, then it will have considerable water content. Each pound of water the wood contains will reduce the heat output by approximately 1,000 BTU's boiling off in the form of steam. Burning wet wood not only reduces the heat output, but lowers the flue gas temperature and can lead to tar deposits in the flue.

Wood should be cut into logs and stored in dry conditions, so that air can circulate through the

pile for one or two years before the logs are burnt. An idea of the dryness of the wood can be obtained by looking at the end of the log. Radial cracks deep enough to be called splits should be present in a dry log.

If you are to obtain full satisfaction from your stove and maximum efficiency from the wood you burn, then the fuel must be dry and well seasoned.

7. FUELS

To ensure satisfactory performance of your Yeoman stove it important to use fuels that are of a suitable size and type, we therefore recommend that you use only fuels that are Hetas approved for the use in closed appliances. When burning wood it is quite acceptable to add a few lumps of solid fuel providing that the vast majority of the fuel is wood.

Flues should be inspected frequently, and fuels impregnated with oil not used. Consult your coal merchant for more comprehensive information. your coal merchant for further information.

8. DE-ASHING THE STOVE

Whilst burning wood the ash will be reburned, compressing down for a couple of weeks, which will aid the storage of heat. Some ash need only be removed when it becomes a nuisance and a couple of shovelfuls are all that need be removed. The ashpit should **not** be totally cleared of ash, as this will detract from efficient running of the stove.

Burning in the solid fuel mode will require a quite different approach. When burning solid fuel a greater amount of ash and clinker will be produced and it may be necessary to empty the ash pan daily. This is done by opening the doors, remove the front plate and withdrawing the ash pan.

It is most important that the ash pan be emptied before it overflows. Ash left to build up under the grate for extended periods of time could cause overheating of the grate, thus invalidating the guarantee on the grate.

9. OVERNIGHT BURNING

If you fill your stove completely with fuel and close down all air controls it may be possible to keep the stove alight through the night, depending on chimney draw.

10. CARE AND MAINTENANCE

When the stove is left for a long period without a fire burning (i.e. through the summer), remove all the ash and spent fuel leaving the door slightly ajar. During the summer months why not give your stove a spring clean and check the flue.

The paint finish is of a matt texture and requires to be brushed down with a soft brush.

Water or damp cloths should **not** be used on the paint finish.

To revitalise your stove a further coat of paint may be applied using the Yeoman Stove Paint, containing a heatproof matt finish.

A Yeoman Stove Fire Resistant mitten is available to assist in the operation of your stove.

The rope seals around door will periodically need renewing. Kits are available from your stockist, containing the correct lengths of rope, cut and sealed, as well as the correct heat resistant adhesive for their application. When changing the rope seals it is important to make sure that the casting is clean before applying fresh adhesive - this is best done by the use of a wire brush.

Yeoman Stoves Glass Cleaner is also available for the removal of stubborn marks and ash from the glass of your stove.

If you have the misfortune to break a piece of glass, replacements are available from your stockist. The correct ceramic glass should be used, as standard glass will not withstand the heat and may be dangerous.

11. OPTIONAL EXTRAS

a. **Brass Knobs (YC00828)** are available for replacement of the standard knobs.

Ask your dealer for details of the full range of Yeoman Stove Care and Refurbishment Products

Products available include -

Yeoman Fire Resistant Mitten **YE0007**

Yeoman Ceramic Rope Adhesive **YE0010**

Yeoman Fire Cement (1 K/gram) **YE0013**

Yeoman Glass Cleaner **YE0011**

Yeoman Touch-up Paint (black 400ml) **YV00971**

12. SPARE PARTS AVAILABLE

Exmoor Multifuel Kit **MOM**

Exmoor Baffle **YC74007**

Exmoor Grate **YM74054**

Exmoor Bricks (2 per stove) **YA74243**

Exmoor Ashpan **YC74003**

Exmoor Multifuel Grate Supports **YM74038**

13. GUARANTEE

All Yeoman Stoves are guaranteed from the date of purchase for a period of two years against faulty components / workmanship. The guarantee is subject to the following provisions: -

- a) The installation is carried out by a suitably qualified person
- b) That the Fireplace and Flue system or chimney conforms to the relevant building regulations and standards where appropriate.
- c) That our instructions for installation, servicing and cleaning are followed.
- d) This guarantee does not cover mishandling or miss use
- e) That our liability is limited to the free replacement part or parts affected. No claims for any other work will be considered unless agreed by Yeoman Stoves Management.
- f) That the part or parts replaced under the guarantee are returned to Yeoman
- g) This guarantee does not cover glass, glass seal, door rope, firebricks,

Yeoman Stoves are guaranteed via the stockist from whom they were purchased, and not directly by Yeoman Stoves. In the event of any guarantee claims, you should therefore contact the stockist. Your statutory rights are unaffected. For your records and to assist us in any guarantee claim please complete the following:

Date Installed

Model ..EXMOOR WOOD/MULTI FUEL STOVE.....

Serial No:.....

Stockist from whom purchased :

Name:.....

Address:.....

.....

.....

Tel:.....

Installed by :

Name:.....

Address:.....

.....

.....

Tel:.....

Yeoman Stoves Ltd
A division of Stovax Ltd
Falcon Road, Sowton Industrial Estate, Exeter, Devon, EX2 7LF
Tel 01392 • 474500 Fax 01392 • 219932
Http://www.yeoman-stoves.co.uk/

