

Ecoburn Plus 4



The EcoburnPlus range of stoves are visually astounding, with an even more extensive viewing glass than seen on the Ecoburn range of stoves.

Offering more choice over the type of fuel burnt through the **Flexifuel** System the EcoburnPlus stoves provide high efficiencies along with all the features that have become synonymous with Aarrow stoves.



Aarrow Lifetime Guarantee



Ecoburn Plus 4 Information

Code	ECB4FPLUS
Minimum Output:	1kW
Maximum Output:	4kW
Nett Efficiency (%):	86.3%
Height:	535mm
Width:	355mm
Depth:	365mm

Features

- NEW **Flexifuel** System
- Burns wood and solid fuel
- Larger fire viewing glass
- Pre-heated airwash system for sparkling clean glass
- Secondary burn for higher efficiency
- Externally controlled riddling grate
- Top or rear flue fitting
- Suitable for installation on a non-combustible 12mm hearth

Accessories

- Add-in Boiler - [AIB0]
- Arada Ash Carrier - Small - [ARA016]
- Arada Universal Stand - [STAND001]
- Floor Fixing Kit - [AFS1135]

Arada Ltd, The Fireworks, Weycroft Avenue, Axminster, Devon. EX13 5HU.

Web: <http://www.aradastoves.com> | Email: info@aradastoves.com | Tel: +44 (0)1297 35700 (Mon-Fri 8:30am-5pm)

Printed 21st February 2014. Technical information updated 15th November 2013.

Ecoburn Plus 4 - Technical Information

Code	ECB4FPLUS
Minimum Output:	1kW
Maximum Output:	4kW
Nett Efficiency:	86.3 %
Height:	535mm
Width:	355mm
Depth:	365mm
Height to Centre of Rear Flue:	436mm
Added Height When on Stand:	200mm
Depth of Back to Centre of Top Flue:	94mm
Flue Diameter:	102mm
Weight Packed:	47kg
Ideal Log Length:	200mm

Minimum Distance To Combustibles

To Rear of Stove 700 mm

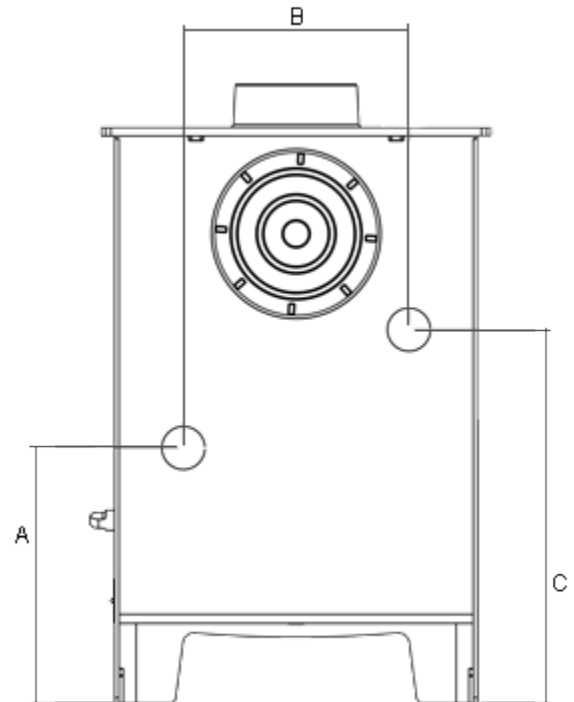
To Sides of Stove 500 mm

Boiler Tapping Measurements

Distance A 237 mm

Distance B 210 mm

Distance C 347 mm



Add In Boiler Tapping Measurements.
Rear view example shown. Not to scale.