

## Ecoburn Plus 9



The EcoburnPlus range of stoves are visually astounding, with an even more extensive viewing glass than seen on the Ecoburn range of stoves.

Offering more choice over the type of fuel burnt through the **Flexifuel** System the EcoburnPlus stoves provide high efficiencies along with all the features that have become synonymous with Aarrow stoves.



Aarrow Lifetime Guarantee



## Ecoburn Plus 9 Information

Code	ECB9FPLUS
Minimum Output:	2kW
Maximum Output:	9kW
Nett Efficiency (%):	72%
Height:	600mm
Width:	541mm
Depth:	365mm

## Features

- NEW **Flexifuel** System
- Burns wood and solid fuel
- Larger fire viewing glass
- Pre-heated airwash system for sparkling clean glass
- Secondary burn for higher efficiency
- Externally controlled riddling grate
- Top or rear flue fitting
- Suitable for installation on a non-combustible 12mm hearth

## Accessories

- Add-in Boiler - [AIB3]
- Arada Ash Carrier - Medium - [ARA017]
- Arada Universal Stand - [STAND002]
- Floor Fixing Kit - [AFS1135]

Arada Ltd, The Fireworks, Weycroft Avenue, Axminster, Devon. EX13 5HU.

Web: <http://www.aradastoves.com> | Email: [info@aradastoves.com](mailto:info@aradastoves.com) | Tel: +44 (0)1297 35700 (Mon-Fri 8:30am-5pm)

Printed 21st February 2014. Technical information updated 15th January 2014.

## Ecoburn Plus 9 - Technical Information

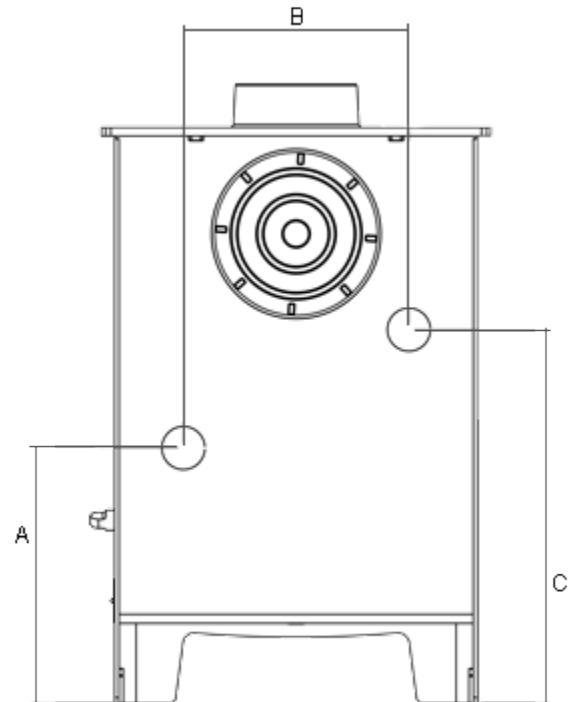
Code	ECB9FPLUS
Minimum Output:	2kW
Maximum Output:	9kW
Nett Efficiency:	72 %
Height:	600mm
Width:	541mm
Depth:	365mm
Height to Centre of Rear Flue:	492mm
Added Height When on Stand:	200mm
Depth of Back to Centre of Top Flue:	102mm
Flue Diameter:	127mm
Weight Packed:	79kg
Ideal Log Length:	380mm

## Minimum Distance To Combustibles

To Rear of Stove	750 mm
To Sides of Stove	500 mm

## Boiler Tapping Measurements

Distance A	245 mm
Distance B	269 mm
Distance C	391 mm



Add In Boiler Tapping Measurements.  
Rear view example shown. Not to scale.